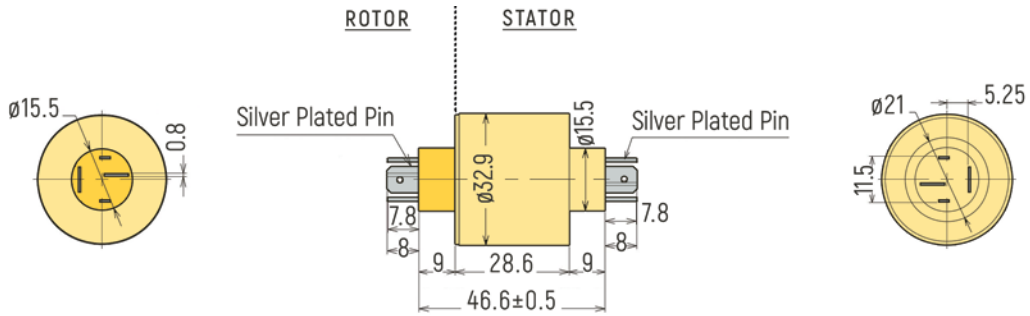


FASTON

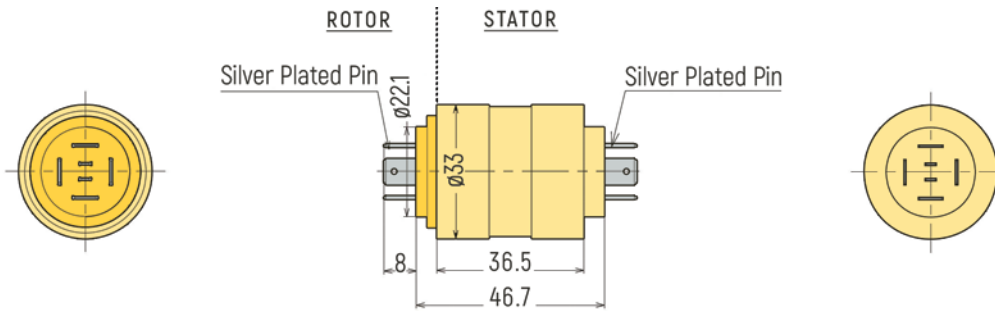


DIMENSIONS (in mm)

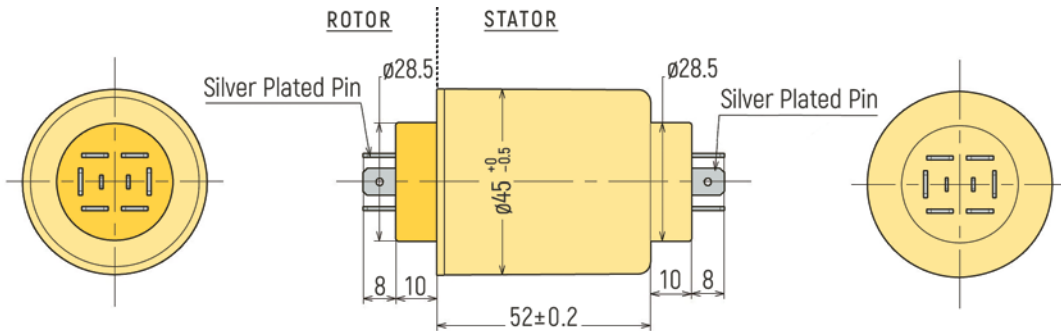
RX-FAS033 - Number of Circuits: 4



RX-FAS033 - Number of Circuits: 6



RX-FAS045 - Number of Circuits: 8



RX-FAS046 - Number of Circuits: 2

