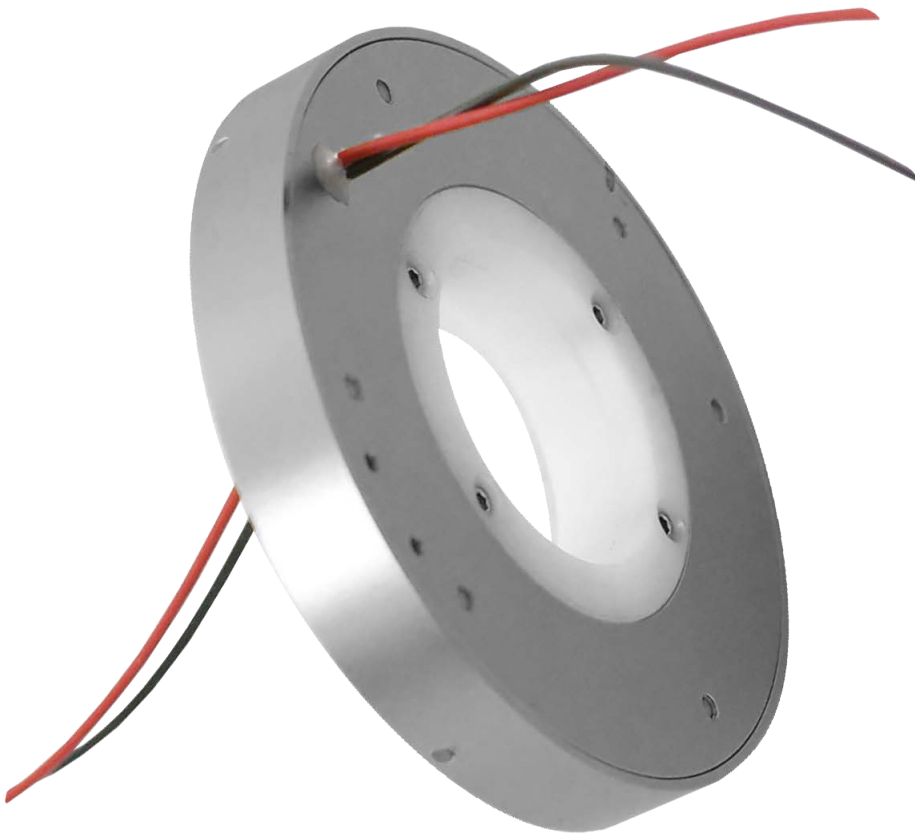




ROTARX[®]

Through-Bore Slip Rings



High-Performance Power,
Signal and Media Transmission

COMPACT SLIP RINGS

Our other available catalogues:

COMPACT SLIP RINGS SOLUTIONS (General catalogue)	(256 pages)
CAPSULATED MINIATURE SLIP RINGS	(44 pages)
AUTOMATION SLIP RINGS	(32 pages)
PANCAKE SLIP RINGS - with Housing - without Housing	(42 pages)
SEPARATE SLIP RINGS	(28 pages)
FASTON SLIP RINGS	(24 pages)
MINIATURE HYBRID SLIP RINGS	(24 pages)
HYBRID SLIP RINGS - Pneumatic / Liquid + Electric	(72 pages)
HYBRID SLIP RINGS - Ethernet + Electric	(34 pages)
HYBRID SLIP RINGS - USB + Electric	(30 pages)
HYBRID SLIP RINGS - Fiber Optical + Electric	(44 pages)
HYBRID SLIP RINGS - Coax + Electric	(40 pages)
HYBRID SLIP RINGS - HD-SDI (1080p)+ Electric	(26 pages)

CONTENT

THE COMPANY	4
SLIP RINGS TECHNOLOGY	6
SLIP RINGS APPLICATIONS	8
THROUGH-BORE SLIP RINGS	10
- RX-HS003 Series	12
- RX-HS005 Series	13
- RX-HS007 Series	14
- RX-HS012 Series	16
- RX-HS020 Series	22
- RX-HS025 Series	24
- RX-HS030 Series	28
- RX-HS038 Series	30
- RX-HS050 Series	32
- RX-HS060 Series	36
- RX-HS070 Series	38
- RX-HS080 Series	40
- RX-HS090 Series	42
- RX-HS100 Series	44
- RX-HS120 Series	46
- RX-HS150 Series	48
- RX-HS180 Series	50
- RX-HS200 Series	52
- RX-HS210 Series	54
- RX-HS250 Series	56
- RX-HS300 Series	58
CUSTOMIZED SLIP RINGS	60
NOTES	66
REQUEST FORM	67



The Company

Quality and Safety

B-COMMAND was founded in 1995. Since more than 20 years the company has put its focus on **production and sales of electro technical components to all parts of the globe.**

In the early years B-COMMAND focused on electro-mechanical control solutions mainly for the national crane market. Throughout the years the sales area was widened to many international countries and the second main product focus became wind power technology. The company started developing and manufacturing of special limit switches for wind turbines which are still one of the major product lines today.

After more than 10 years of growth and success with electro-mechanical products, another different technology division was established: **electrical transmission technology.**

Due to many analogies with electro-mechanical products and many skilled engineers the new technology focus for transmission of power and signals had been implemented.

QUALITY MANAGEMENT
Certification 2017



Production & Warehouse

In the beginning the products for electrical transmission technology included simple slip rings for transmitting small power ratings from fixed to rotating parts into machines.

Today, in times of Industry 4.0 and industrial networks, the program contains more than **20.000 possible solutions with combined power and signal transmission, high-frequency solutions, different housing types and super-miniature solutions.**



Offices of our Headquarters Hamburg



Our technical expertise guarantees the right solution for your applications.

Since more than 10 years the company is certified according to **DIN EN ISO9001:2015 by TÜV in Germany.** All management and production processes are created and approved according to international standards. Especially a **flexible production structure allows short delivery times also for small volume orders or prototypes.**

The purchasing organization of B-COMMAND is internationally targeted. Raw material and production components are sourced from best-rated suppliers worldwide. A network of specialists for all materials is available for developing the best solution for the customers requirements resulting in a perfect fitting product for all individual projects.

B-COMMAND has an international sales network of distributors and sales partners for all regions. Some of the distributors even offer spare parts or series demand products from their own stock in the different countries.

CONTACT

B-COMMAND GmbH

Gruetzmuehlenweg 46
22339 DE Hamburg

T. +49 40-538092-50
F. +49 40-538092-85
E. info@rotarX.com
W. www.b-command.com
www.rotarX.com

All activities at B-COMMAND are focused on customer satisfaction. Creating perfect-fitting technical solutions with best quality for marked-based prices – this is our passion.



Slip Rings Technology

Slip rings are essential electromechanical parts of commercial or industrial machinery. They have to ensure transfer of data, media, energy and electrical signals in best possible conditions. This can only be realized by combination of a targeted design process, selection of best raw materials, professional production conditions, 100% quality control and skilled assembling on customer side.

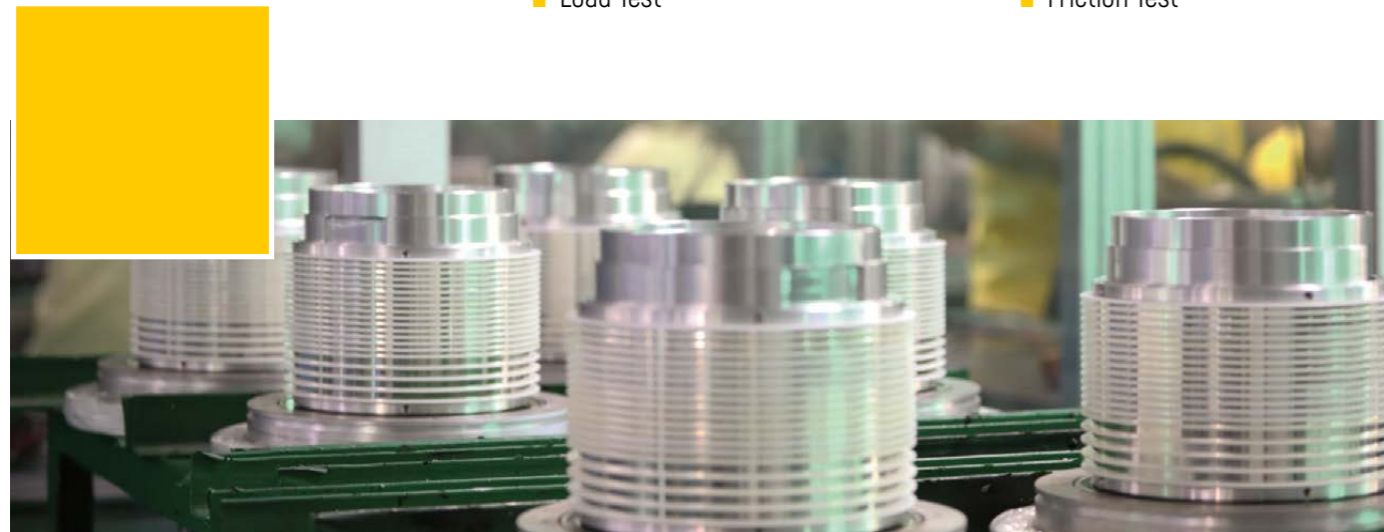


PREMIUM ENGINEERING

With many years experience and a deep knowledge of all relevant engineering disciplines, B-COMMAND engineering team can provide fast and innovative design solutions for customers around the world. Our engineers are constantly developing new designs and use new materials across a wide spectrum of diverse environments.

In order to ensure only premium-quality products B-COMMAND is able to undertake following tests in our in-house laboratory:

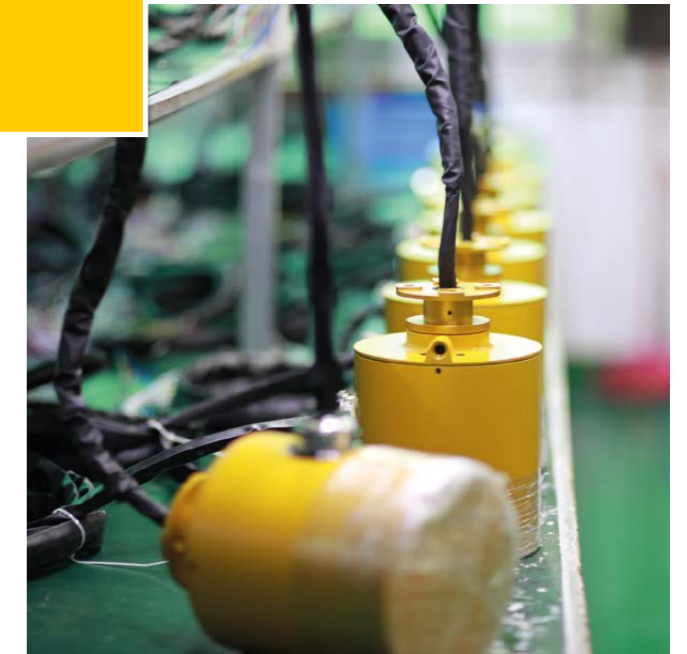
- Humidity Test
- Temperature Test
- Protection Degree Test
- Vibration / Shock Test
- High Pressure / Vacuum Test
- Torque Test
- High Voltage Test
- Large Current Test
- Salt Spray Test
- Load Test
- Electrical Noise Test
- Contact Resistance Test
- Lifetime Test
- Insulation Test
- Frequency Test
- Friction Test



ROTARX - MINIATURE SLIP RINGS

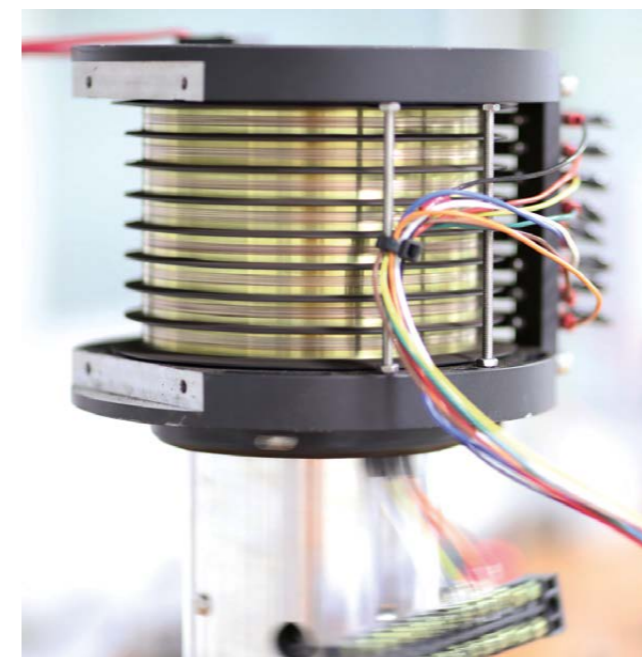
TOTAL QUALITY CONTROL

High production depth is the key to total quality control. Therefore B-COMMAND has established extended electrical and mechanical production capabilities. Different automatic and semi-automatic multiple axis CNC machining centers, grinding machines, milling machines and coating machines offer a wide range of mechanical options during production process. Only experts with long-term knowledge are operating our machinery in order to grant best quality products for our customers.



FLEXIBILITY

For B-COMMAND flexibility is not just a word, it is the basis of our organization. Flexible sales and R&D structures with capacity for extensive project inquiries from our customers are as well allocated as flexible production structures with high-volume series production and also fast-track options for small volume orders.



WWW.ROTARX.COM

INNOVATION

The willingness of lifelong-learning and permanent interest in new technological trends sets our engineering team apart. Industrial communication and electrical complexity of everyday life have moved to a new level and they are still developing fast. We keep an eye on all new technologies, new applications, new materials and forward-looking innovations which can improve or re-invent our products.

Slip Rings Applications



WIND POWER TECHNOLOGY

- Small Wind Turbines
- Multi-MW-Turbines
- Signal & Power Transmission



AEROSPACE TECHNOLOGY

- Drones
- Radars
- Thermal Imaging



ROBOTIC TECHNOLOGY

- Production Robots
- Inspection Robots
- Packaging Robots



CAMERA TECHNOLOGY

- TV-Cameras
- Security Cameras
- Inspection Cameras



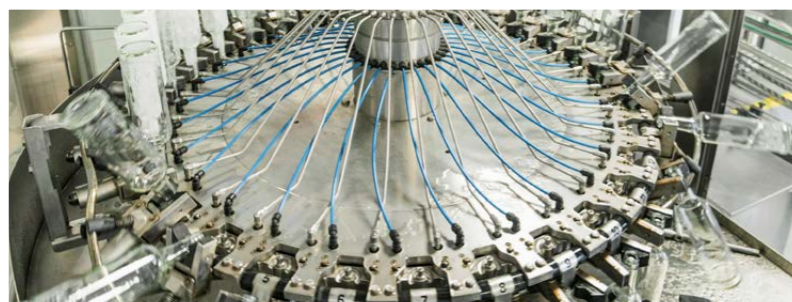
CRANE TECHNOLOGY

- Post Cranes
- Tower Cranes
- Mobile Cranes



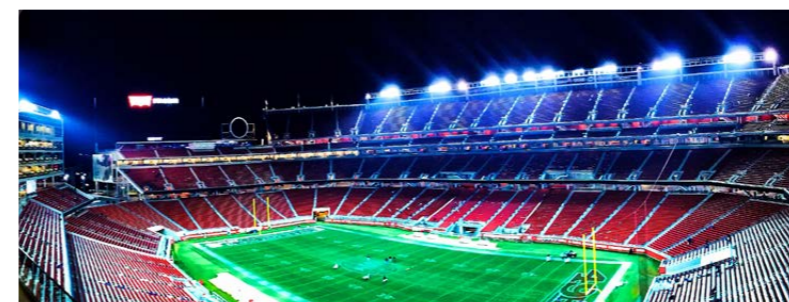
AMUSEMENT TECHNOLOGY

- Pendulum Rides
- Observation Wheel
- Merry-Go-Round



PACKAGING TECHNOLOGY

- Packaging Robots
- Filling Machines
- Capping Machines



STAGE TECHNOLOGY

- Rotating Stages
- Rotating Lights
- Revolving Platforms

RX-HS Series



Through-Bore
 Many Customizations
 Signal & Power
 RoHS2 CE

Through bore slip rings (also known as «through hole slip ring») are slip rings with a hollow shaft in the center. This series is designed for being installed with a flange on a sleeve bracket and it is offering a free inner space for either connecting the rotor to a rotating shaft of the customer machine or for leading through pipes or cables not affected from rotation.

The hollow shaft slip rings are available with inner diameters from 3mm up to 300mm. The customer can select between slip rings with 2 up to max. 108 rings and power ratings from 2A up to 500A each ring.

The through bore slip rings use the best advanced fiber brush technology and precious metal multi-contacting, they offer low electrical noise for high data rate field bus transmission, low contact pressure for long lifetime and they are maintenance free. We offer standardized & modularized design and fully customizable products according to the special requirements of customers in different applications.

If you have specific customized requirements, please feel free to consult us in order to create the most suitable recommendation for your specification.

ADVANTAGES

- + Many different Housing Dimensions
- + Free Inner Space / Hollow Shaft
- + Low Contact Resistance
- + Long Lifetime
- + Maintenance Free
- + 360° Continuous Rotation
- + Power & Signal Transmission
- + Customized Circuit Combinations

MAIN APPLICATIONS

- > Military Devices
- > Medical Equipment
- > Wind Turbines
- > Robotics
- > Radar Antennas
- > Packaging Machines
- > Hose & Cable Reels

PRODUCT CODE

RX	-	AA	BBB	C	-	DD	E	-	FF	GGG	S
		1	2	3		4	5		6	7	8

Example: RX-HS090A-QS2-12060S
 (1) Through-Bore Slip Ring with (2) Inner Diameter 90mm, (3) Model A, (4) Common Quality Version, (5) Signal transmission 5A, (6) 12 rings for power transmission, (7) 60 rings for signal transmission, (8) Standard Version

1	Series	HS - Through-Bore Slip Rings (Hollow Shaft)	5	Signal Level	1 - Signal transmission 5A 2 - Signal transmission 2A
2	Inner Diameter	From 3mm to 300mm (see drawings for details)	6	Number of Power Circuits	From 2 rings to 48 rings
3	Model	A-D: Different Housing Models (see drawings for details)	7	Number of Signal Circuits	From 2 rings to 144 rings
4	Quality Level	QS - Common Quality Version QI - Industrial Quality Version (see specifications for details)	8	Version	S - Standard C - Customized

SPECIFICATIONS

THROUGH-BORE SLIP RING SPECIFICATIONS

NUMBER OF CIRCUITS	2-48 for power transmission	2-144 for signal transmission
--------------------	-----------------------------	-------------------------------

ELECTRICAL SPECIFICATIONS

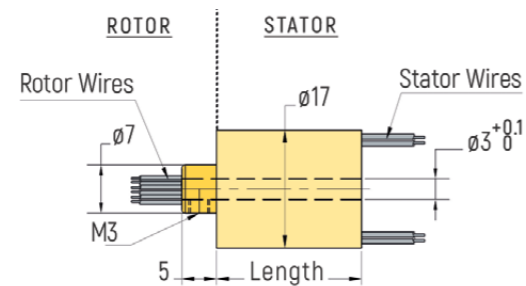
	POWER TRANSMISSION CIRCUITS	SIGNAL TRANSMISSION CIRCUITS
CURRENT RATING	10A	HS003A, HS005A, HS007A, HS012A, HS012B & HS020A: 2A All other types: 5A
VOLTAGE RATING	HS003A, HS005A, HS007A & HS020A: 240VAC/DC HS007B, HS012A to HS012D, HS020B & HS025A: 440VAC/DC All other types: 690VAC/DC	HS003A, HS005A, HS007A & HS020A: 240VAC/DC All other types: 440VAC/DC
LEAD CABLE SIZE	HS003A, HS005A, HS007A & HS020A: AWG28 Teflon HS007B, HS012A & HS012B: AWG22 Teflon All other types: AWG16 Teflon	HS003A, HS005A, HS007A & HS020A: AWG28 Teflon HS007B, HS012A & HS012B: AWG22 Teflon All other types: AWG22 Teflon
LEAD CABLE LENGTH	Standard 300mm (Rotor/Stator)	
ELECTRICAL NOISE	max 10mΩ	
INSULATION RESISTANCE	HS003A, HS005A, HS007A, HS020A: ≥500 MΩ @ 500 VDC HS007B: ≥600 MΩ @ 500 VDC (Power) / ≥1000 MΩ @ 500 VDC (Signal) All other types: ≥1000 MΩ @ 500 VDC	
DIELECTRIC STRENGTH	HS003A, HS005A, HS007A, HS007B, HS012A, HS012B, HS020A: 500WVAC @ 50Hz, 60s HS012C and HS020B: 800VAC @ 50Hz, 60s All other types: 1000VAC @ 50Hz, 60s	

MECHANICAL SPECIFICATIONS

	TYPES	COMMON	INDUSTRIAL
WORKING LIFE (Quality Level Common / Industrial)	HS003A, HS005A, HS007A, HS007B, HS012A & HS020A: 20 Million Revs HS012B: 30 Million Revs HS070A, HS080A, HS090A, and HS100A: 10 Million Revs HS120A, HS150A, HS180A, HS200A, HS210A, HS250A & HS300A: 10 Million Revs All other types: 20 Million Revs	20 Million Revs 30 Million Revs 10 Million Revs 10 Million Revs 20 Million Revs	60 Million Revs 80 Million Revs 30 Million Revs 20 Million Revs 80 Million Revs
ROTATING SPEED (Quality Level Common / Industrial)	HS012A: 0-250 rpm HS012B: 0-400 rpm HS070A, HS080A, HS090A, and HS100A: 0-150 rpm HS120A, HS150A, HS180A, HS200A, HS210A, HS250A & HS300A: 0-150 rpm All other types: 0-250 rpm	0-250 rpm 0-400 rpm 0-150 rpm 0-150 rpm 0-250 rpm	0-1000 rpm 0-1200 rpm 0-400 rpm 00-250 rpm 0-600 rpm
TEMPERATURE RANGE	-30°C to +80°C		
OPERATING HUMIDITY	0-85% RH		
CONTACT MATERIAL	Common Quality Level: Precious Metal; Industrial Quality Level: Gold-Gold		
HOUSING MATERIAL	Aluminium Alloy		
TORQUE	HS003A, HS005A, HS007A, HS007B & HS020A: 0.5N.m;+0.02N.m/6 rings All other types: 0.1N.m;+0.03N.m/6 rings		
PROTECTION DEGREE	IP51 (higher or lower on request)		

RX-HS003A

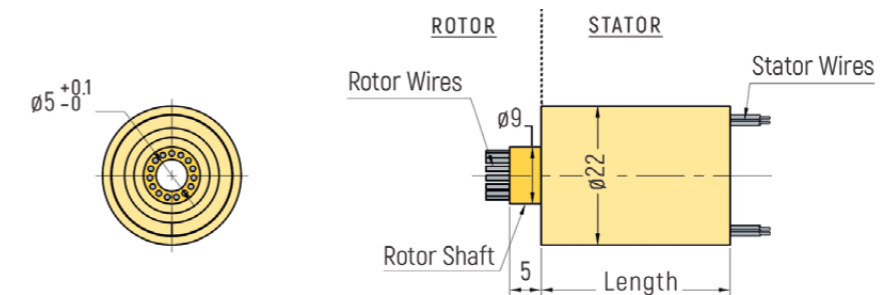
Inner Diameter 3mm



MODEL	LENGTH (mm)	OD (mm)	NUMBER OF CIRCUITS	
			Signal / 2A	Rings
RX-HS003A-QS2-00002S	13.3	17	2	2
RX-HS003A-QS2-00003S	13.3	17	3	3
RX-HS003A-QS2-00004S	13.3	17	4	4
RX-HS003A-QS2-00006S	21	17	6	6
RX-HS003A-QS2-00008S	21	17	8	8

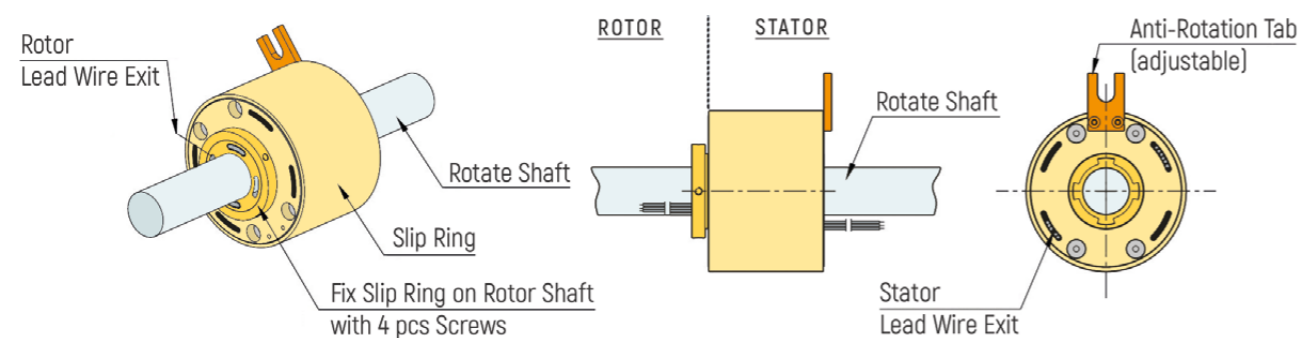
RX-HS005A

Inner Diameter 5mm

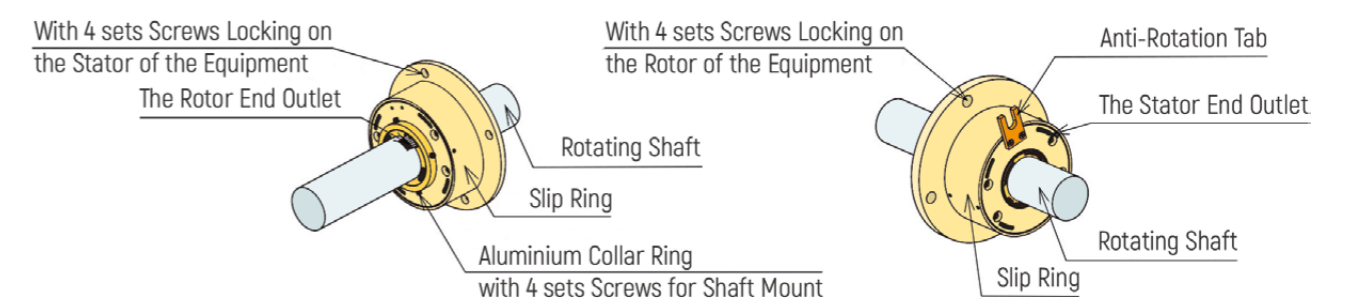


MODEL	LENGTH (mm)	OD (mm)	NUMBER OF CIRCUITS	
			Signal / 2A	Rings
RX-HS005A-QS2-00002S	19	22	2	2
RX-HS005A-QS2-00004S	19	22	4	4
RX-HS005A-QS2-00006S	19	22	6	6
RX-HS005A-QS2-00008S	30	22	8	8
RX-HS005A-QS2-00010S	30	22	10	10
RX-HS005A-QS2-00012S	30	22	12	12
RX-HS005A-QS2-00015S	30	22	15	15

MOUNTING HOLLOW SHAFT OPTION 1

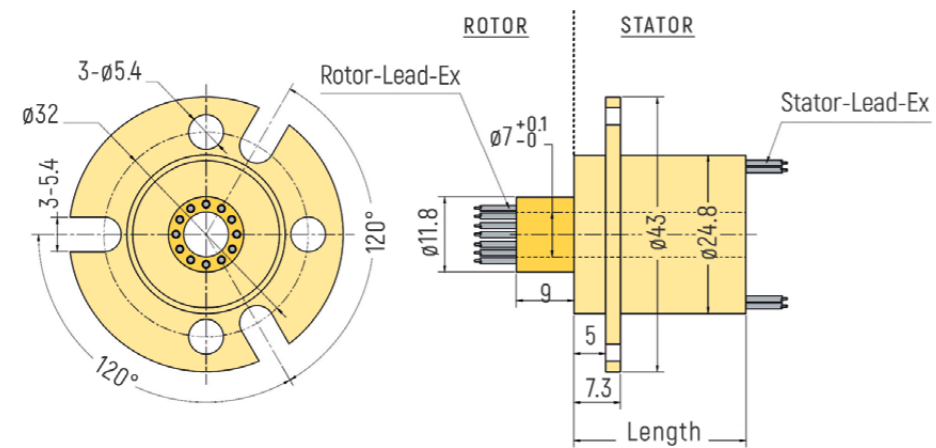


MOUNTING HOLLOW SHAFT OPTION 2



RX-HS007A

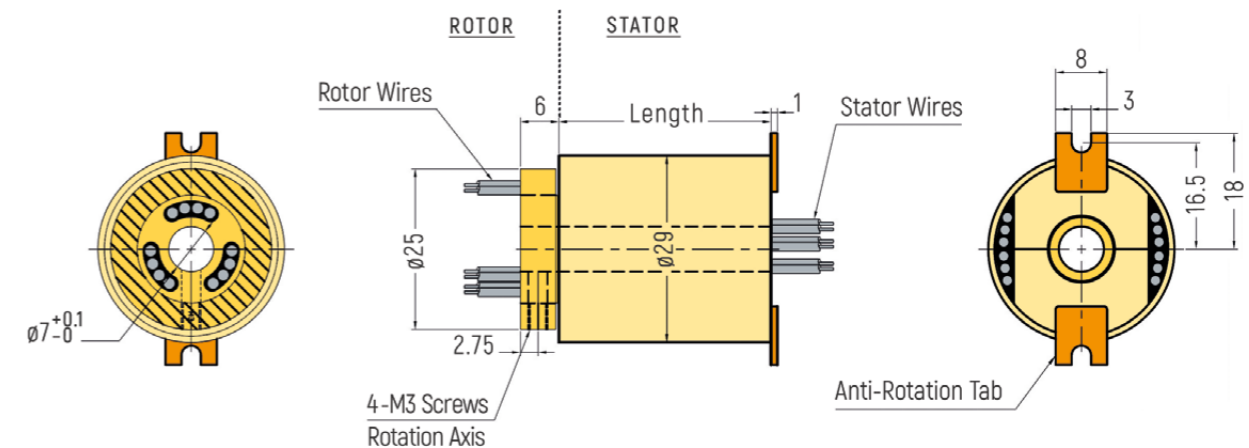
Inner Diameter 7mm



MODEL	LENGTH (mm)	OD (mm)	NUMBER OF CIRCUITS	
			Signal / 2A	Rings
RX-HS007A-QS2-00002S	27	24.8	2	2
RX-HS007A-QS2-00004S	27	24.8	4	4
RX-HS007A-QS2-00006S	27	24.8	6	6
RX-HS007A-QS2-00008S	27	24.8	8	8
RX-HS007A-QS2-00010S	27	24.8	10	10
RX-HS007A-QS2-00012S	27	24.8	12	12

RX-HS007B

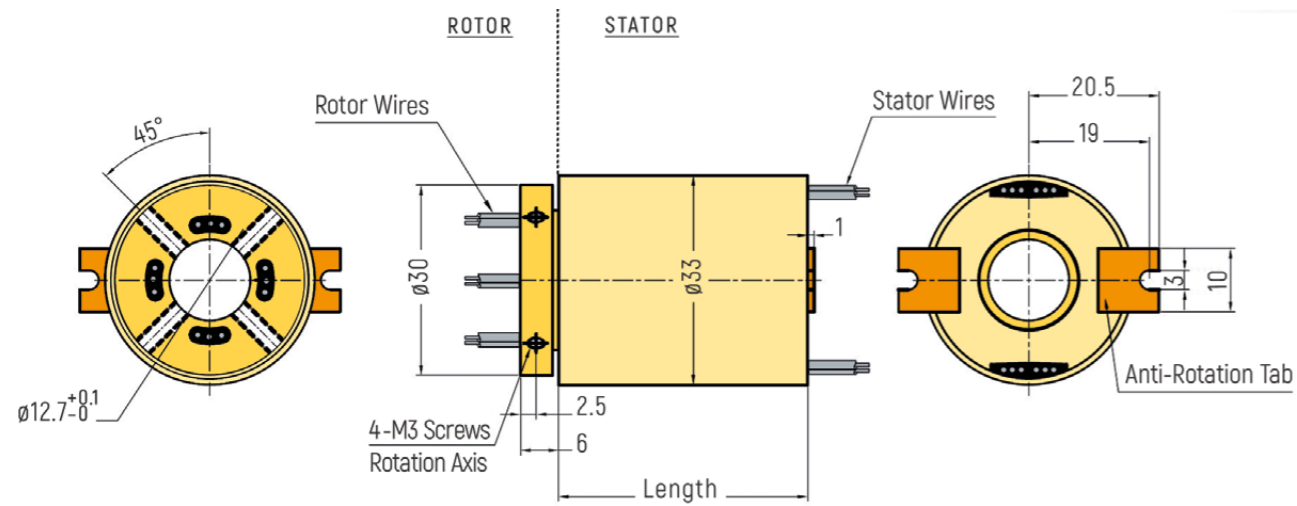
Inner Diameter 7mm



MODEL	LENGTH (mm)	NUMBER OF CIRCUITS		
		Power 10A	Signal / 5A	Rings
RX-HS007B-QS1-00002S	30	-	2	2
RX-HS007B-QS1-02000S	30	2	-	2
RX-HS007B-QS1-00003S	30	-	3	3
RX-HS007B-QS1-03000S	30	3	-	3
RX-HS007B-QS1-00004S	30	-	4	4
RX-HS007B-QS1-04000S	30	4	-	4
RX-HS007B-QS1-00006S	30	-	6	6
RX-HS007B-QS1-02004S	30	2	4	6
RX-HS007B-QS1-04002S	30	4	2	6
RX-HS007B-QS1-06000S	46.8	6	-	6
RX-HS007B-QS1-00012S	46.8	-	12	12
RX-HS007B-QS1-02010S	46.8	2	10	12
RX-HS007B-QS1-03009S	46.8	3	9	12
RX-HS007B-QS1-04008S	46.8	4	8	12
RX-HS007B-QS1-06006S	46.8	6	6	12
RX-HS007B-QS1-08004S	46.8	8	4	12
RX-HS007B-QS1-10002S	46.8	10	2	12
RX-HS007B-QS1-12000S	46.8	12	-	12

RX-HS012A

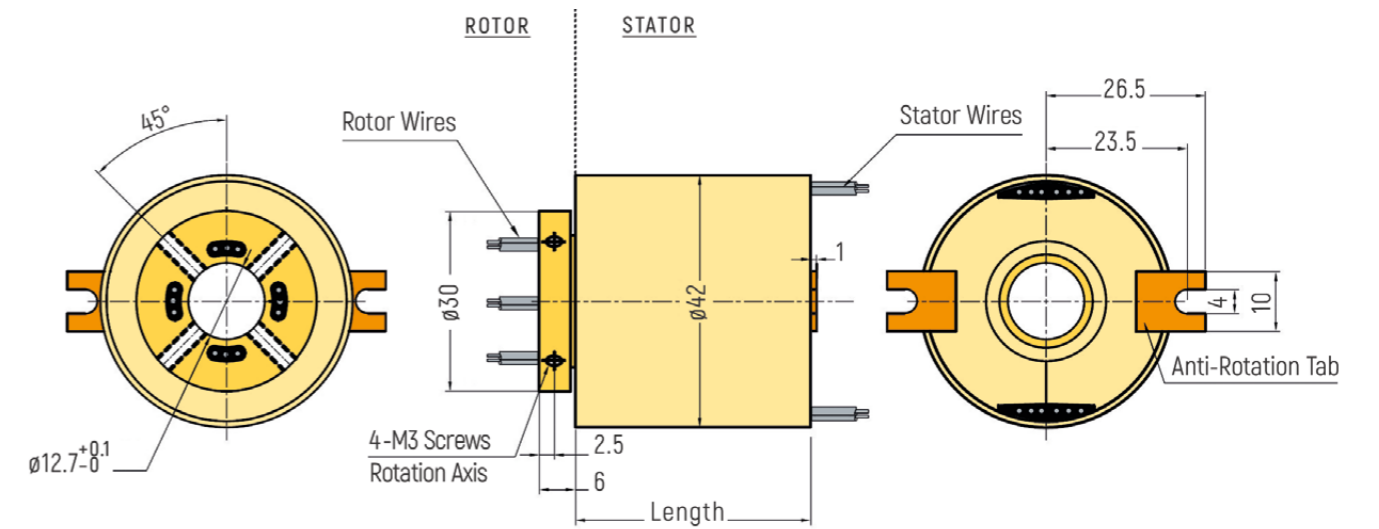
Inner Diameter 12.7mm



MODEL	LENGTH (mm)	OD (mm)	NUMBER OF CIRCUITS	
			Signal / 2A	Rings
RX-HS012A-QS1-33002S	25.4	33	2	2
RX-HS012A-QS1-33003S	25.4	33	3	3
RX-HS012A-QS1-33004S	25.4	33	4	4
RX-HS012A-QS1-33006S	25.4	33	6	6
RX-HS012A-QS1-33008S	39.2	33	8	8
RX-HS012A-QS1-33010S	39.2	33	10	10
RX-HS012A-QS1-33012S	39.2	33	12	12

RX-HS012B

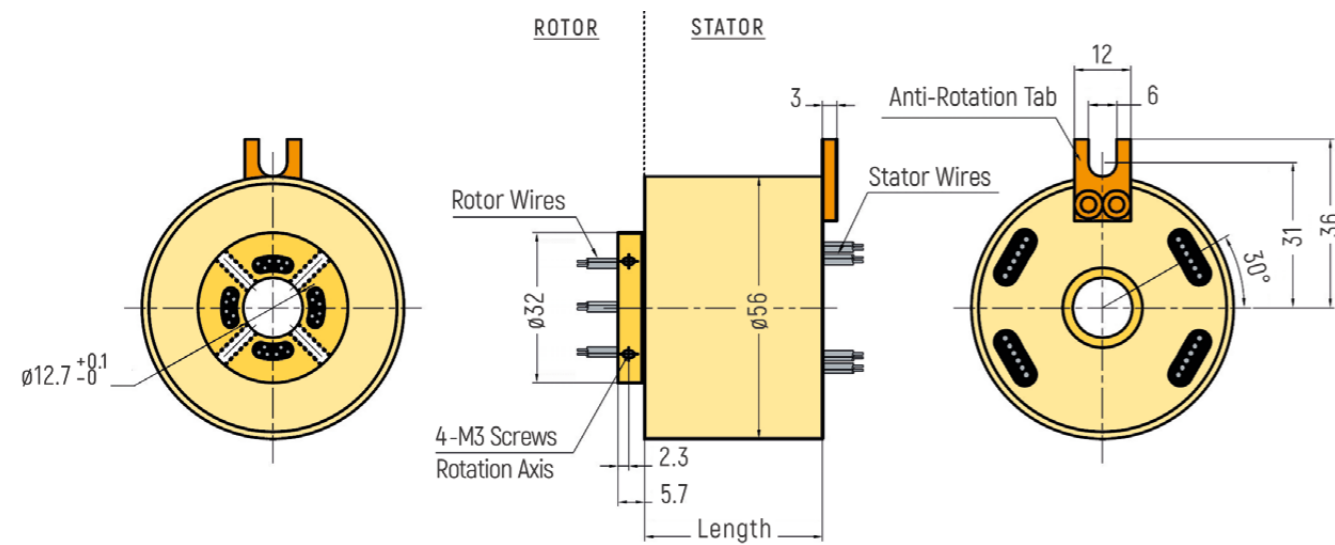
Inner Diameter 12.7mm



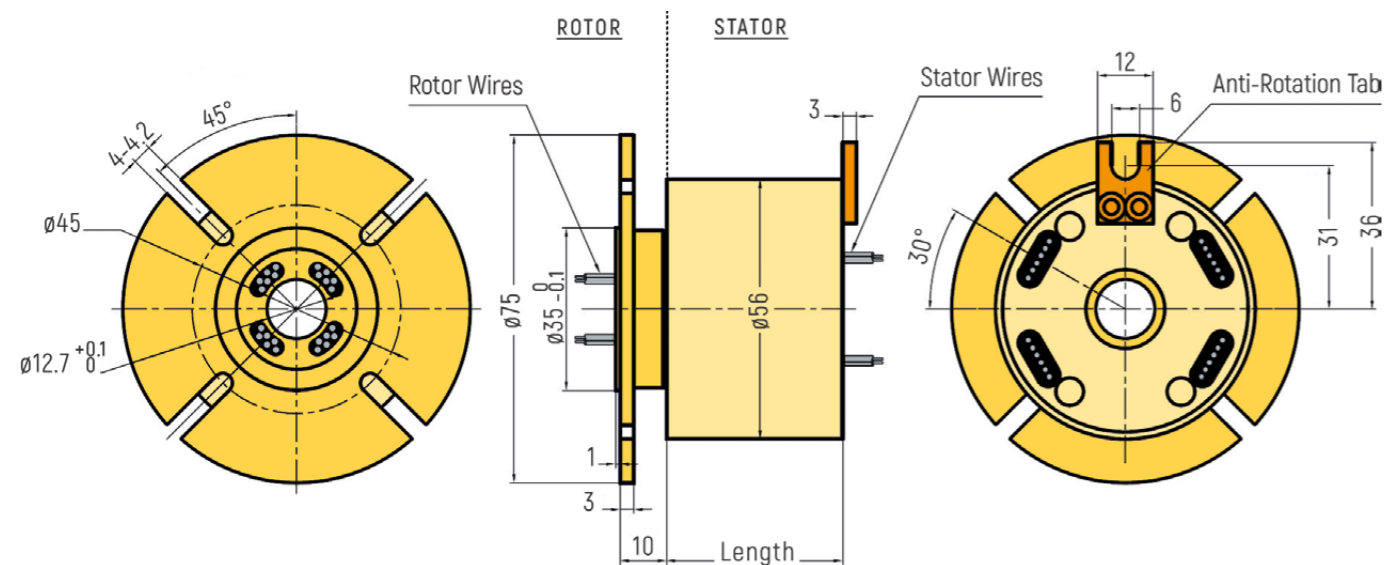
MODEL	LENGTH (mm)	OD (mm)	NUMBER OF CIRCUITS	
			Signal / 2A	Rings
RX-HS012B-QS1-42002S	25.4	42	2	2
RX-HS012B-QS1-42003S	25.4	42	3	3
RX-HS012B-QS1-42004S	25.4	42	4	4
RX-HS012B-QS1-42006S	25.4	42	6	6
RX-HS012B-QS1-42008S	39.2	42	8	8
RX-HS012B-QS1-42010S	39.2	42	10	10
RX-HS012B-QS1-42012S	39.2	42	12	12

RX-HS012C

Inner Diameter 12.7mm



Optional Flange Version (Drawing only exemplary, further details on request)

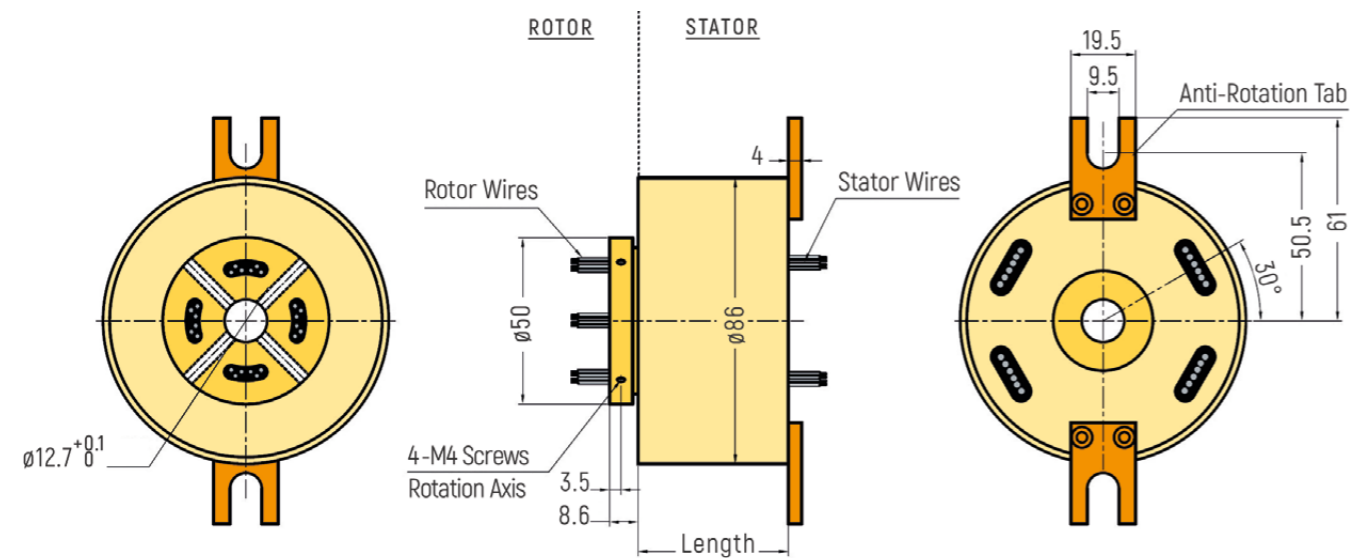


MODEL	LENGTH (mm)	NUMBER OF CIRCUITS		
		10A	Signal / 5A	Rings
RX-HS012C-QS1-00002S	26.8	-	2	2
RX-HS012C-QS1-02000S	26.8	2	-	2
RX-HS012C-QS1-00003S	29.6	-	3	3
RX-HS012C-QS1-03000S	29.6	3	-	3
RX-HS012C-QS1-00006S	38	-	6	6
RX-HS012C-QS1-02004S	38	2	4	6
RX-HS012C-QS1-04002S	38	4	2	6
RX-HS012C-QS1-06000S	38	6	-	6
RX-HS012C-QS1-00012S	54.8	-	12	12
RX-HS012C-QS1-02010S	54.8	2	10	12
RX-HS012C-QS1-03009S	54.8	3	9	12
RX-HS012C-QS1-06006S	54.8	6	6	12
RX-HS012C-QS1-08004S	54.8	8	4	12
RX-HS012C-QS1-10002S	54.8	10	2	12
RX-HS012C-QS1-12000S	54.8	12	-	12
RX-HS012C-QS1-00018S	71.5	-	18	18
RX-HS012C-QS1-02016S	71.5	2	16	18
RX-HS012C-QS1-04014S	71.5	4	14	18
RX-HS012C-QS1-06012S	71.5	6	12	18
RX-HS012C-QS1-08010S	71.5	8	10	18

MODEL	LENGTH (mm)	NUMBER OF CIRCUITS		
		10A	Signal / 5A	Rings
RX-HS012C-QS1-10008S	71.5	10	8	18
RX-HS012C-QS1-12006S	71.5	12	6	18
RX-HS012C-QS1-14004S	71.5	14	4	18
RX-HS012C-QS1-16002S	71.5	16	2	18
RX-HS012C-QS1-00024S	88.4	-	24	24
RX-HS012C-QS1-04020S	88.4	4	20	24
RX-HS012C-QS1-06018S	88.4	6	18	24
RX-HS012C-QS1-12012S	88.4	12	12	24
RX-HS012C-QS1-18006S	88.4	18	6	24
RX-HS012C-QS1-24000S	88.4	24	-	24
RX-HS012C-QS1-00030S	105.2	-	30	30
RX-HS012C-QS1-02028S	105.2	2	28	30
RX-HS012C-QS1-04026S	105.2	4	26	30
RX-HS012C-QS1-06024S	105.2	6	24	30
RX-HS012C-QS1-00036S	125	-	36	36
RX-HS012C-QS1-04032S	125	4	32	36
RX-HS012C-QS1-06030S	125	6	30	36
RX-HS012C-QS1-00042S	141.8	-	42	42
RX-HS012C-QS1-04038S	141.8	4	38	42
RX-HS012C-QS1-00048S	158.6	-	48	48

RX-HS012D

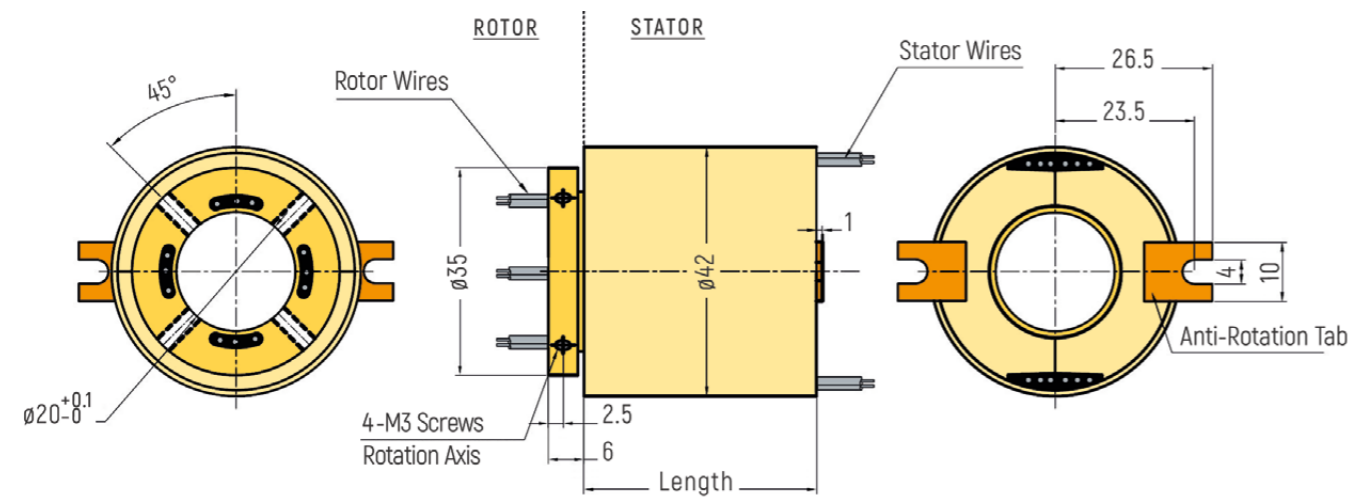
Inner Diameter 12.7mm



MODEL	LENGTH (mm)	NUMBER OF CIRCUITS			MODEL	LENGTH (mm)	NUMBER OF CIRCUITS		
		10A	Signal / 5A	Rings			10A	Signal / 5A	Rings
RX-HS012D-QS1-00002S	31.6	-	2	2	RX-HS012D-QS1-24006S	126.8	24	6	30
RX-HS012D-QS1-02000S	31.6	2	-	2	RX-HS012D-QS1-30000S	126.8	30	-	30
RX-HS012D-QS1-00003S	35	-	3	3	RX-HS012D-QS1-00036S	150.2	-	36	36
RX-HS012D-QS1-03000S	35	3	-	3	RX-HS012D-QS1-06030S	150.2	6	30	36
RX-HS012D-QS1-00006S	45.2	-	6	6	RX-HS012D-QS1-12024S	150.2	12	24	36
RX-HS012D-QS1-02004S	45.2	2	4	6	RX-HS012D-QS1-36000S	150.2	36	-	36
RX-HS012D-QS1-04002S	45.2	4	2	6	RX-HS012D-QS1-00042S	170.6	-	42	42
RX-HS012D-QS1-06000S	45.2	6	-	6	RX-HS012D-QS1-06036S	170.6	6	36	42
RX-HS012D-QS1-00012S	65.6	-	12	12	RX-HS012D-QS1-12030S	170.6	12	30	42
RX-HS012D-QS1-02010S	65.6	2	10	12	RX-HS012D-QS1-42000S	170.6	42	-	42
RX-HS012D-QS1-03009S	65.6	3	9	12	RX-HS012D-QS1-00048S	191	-	48	48
RX-HS012D-QS1-06006S	65.6	6	6	12	RX-HS012D-QS1-06042S	191	6	42	48
RX-HS012D-QS1-08004S	65.6	8	4	12	RX-HS012D-QS1-12036S	191	12	36	48
RX-HS012D-QS1-10002S	65.6	10	2	12	RX-HS012D-QS1-18030S	191	18	30	48
RX-HS012D-QS1-12000S	65.6	12	-	12	RX-HS012D-QS1-24024S	191	24	24	48
RX-HS012D-QS1-00018S	86	-	18	18	RX-HS012D-QS1-48000S	191	48	-	48
RX-HS012D-QS1-02016S	86	2	16	18	RX-HS012D-QS1-00060S	231.8	-	60	60
RX-HS012D-QS1-04014S	86	4	14	18	RX-HS012D-QS1-06054S	231.8	6	54	60
RX-HS012D-QS1-06012S	86	6	12	18	RX-HS012D-QS1-09051S	231.8	9	51	60
RX-HS012D-QS1-08010S	86	8	10	18	RX-HS012D-QS1-12048S	231.8	12	48	60
RX-HS012D-QS1-10008S	86	10	8	18	RX-HS012D-QS1-24036S	231.8	24	36	60
RX-HS012D-QS1-12006S	86	12	6	18	RX-HS012D-QS1-00072S	275.6	-	72	72
RX-HS012D-QS1-14004S	86	14	4	18	RX-HS012D-QS1-12060S	275.6	12	60	72
RX-HS012D-QS1-16002S	86	16	2	18	RX-HS012D-QS1-24048S	275.6	24	48	72
RX-HS012D-QS1-00024S	106.4	-	24	24	RX-HS012D-QS1-36036S	275.6	36	36	72
RX-HS012D-QS1-04020S	106.4	4	20	24	RX-HS012D-QS1-00084S	316.4	-	84	84
RX-HS012D-QS1-06018S	106.4	6	18	24	RX-HS012D-QS1-12072S	316.4	12	72	84
RX-HS012D-QS1-12012S	106.4	12	12	24	RX-HS012D-QS1-24060S	316.4	24	60	84
RX-HS012D-QS1-18006S	106.4	18	6	24	RX-HS012D-QS1-36048S	316.4	36	48	84
RX-HS012D-QS1-24000S	106.4	24	-	24	RX-HS012D-QS1-00096S	357.2	-	96	96
RX-HS012D-QS1-00030S	126.8	-	30	30	RX-HS012D-QS1-12084S	357.2	12	84	96
RX-HS012D-QS1-06024S	126.8	6	24	30	RX-HS012D-QS1-24072S	357.2	24	72	96
RX-HS012D-QS1-12018S	126.8	12	18	30	RX-HS012D-QS1-36060S	357.2	36	60	96
RX-HS012D-QS1-18012S	126.8	18	12	30	RX-HS012D-QS1-42054S	357.2	42	54	96

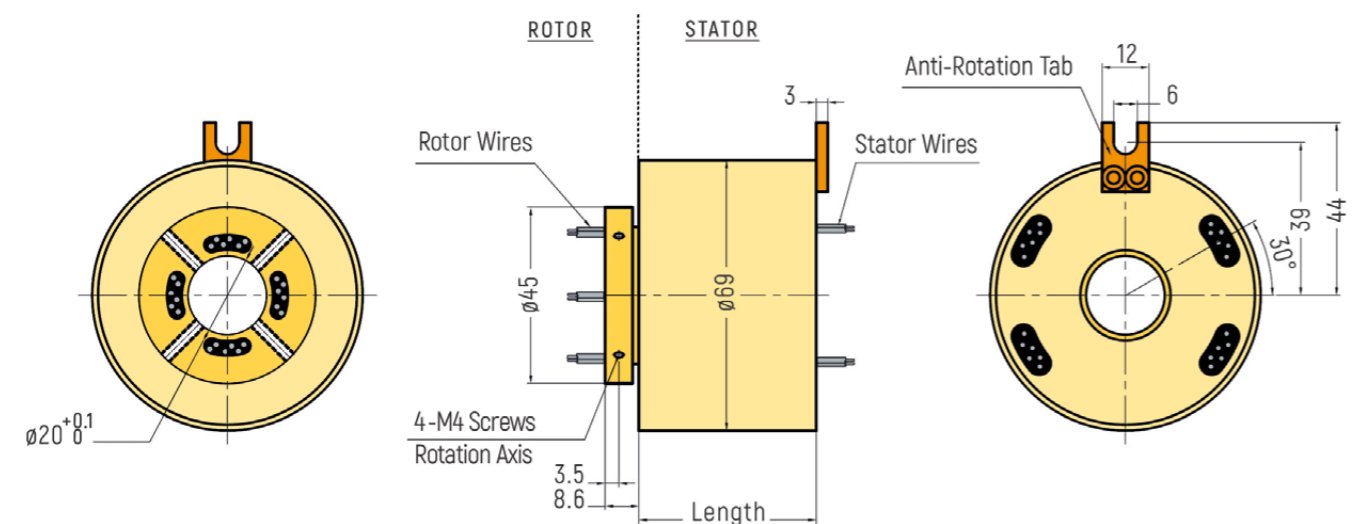
RX-HS020A

Inner Diameter 20mm

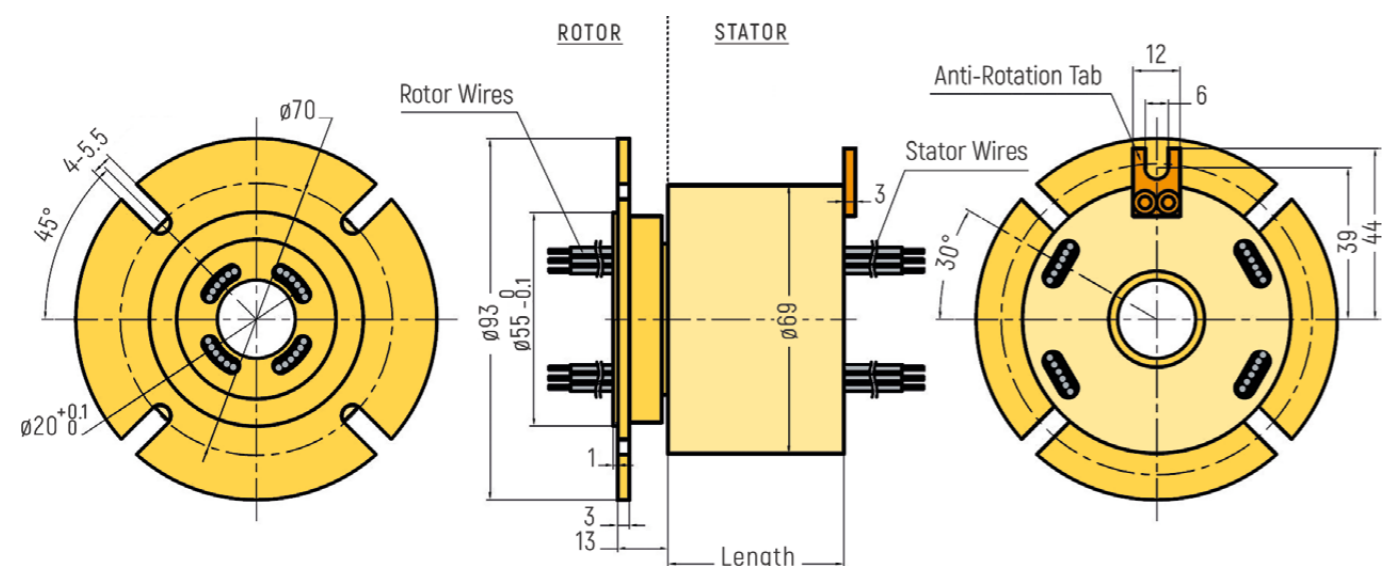


RX-HS020B

Inner Diameter 20mm



Optional Flange Version (Drawing only exemplary, further details on request)



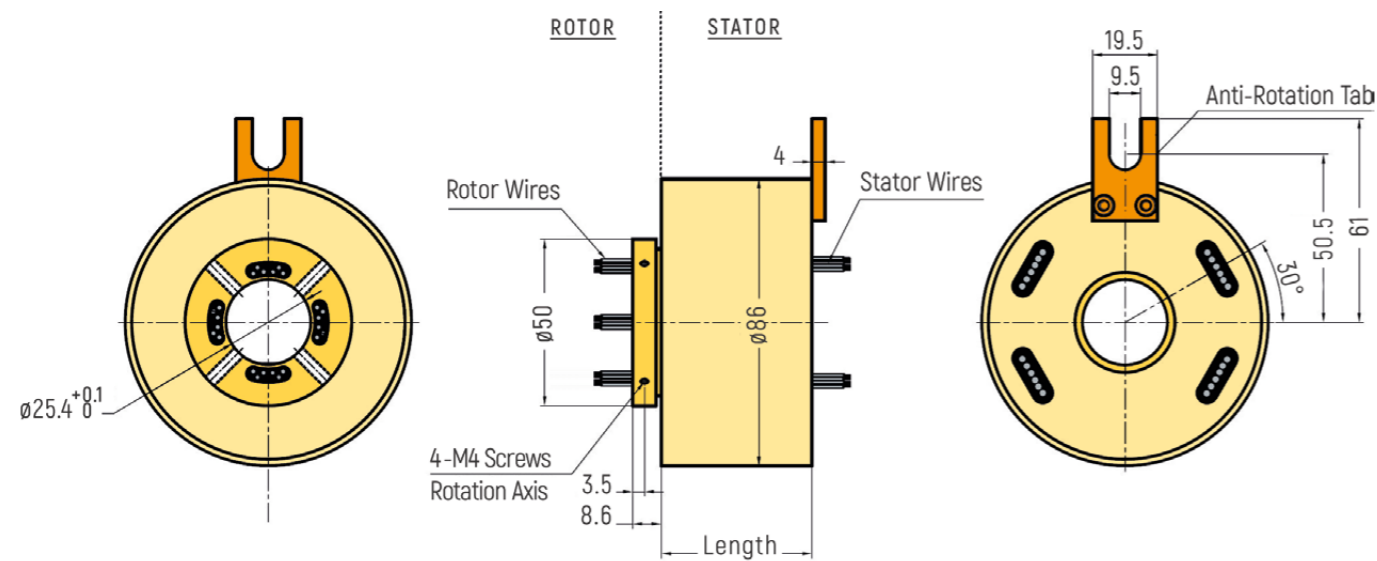
MODEL	LENGTH (mm)	OD (mm)	NUMBER OF CIRCUITS	
			Signal / 2A	Rings
RX-HS020A - Inner Diameter 20mm				
RX-HS020A-QS1-42002S	25.4	42	2	2
RX-HS020A-QS1-42003S	25.4	42	3	3
RX-HS020A-QS1-42004S	25.4	42	4	4
RX-HS020A-QS1-42006S	25.4	42	6	6
RX-HS020A-QS1-42008S	39.2	42	8	8
RX-HS020A-QS1-42010S	39.2	42	10	10
RX-HS020A-QS1-42012S	39.2	42	12	12

MODEL	LENGTH (mm)	NUMBER OF CIRCUITS		
		10A	Signal / 5A	Rings
RX-HS020B - Inner Diameter 20mm				
RX-HS020B-QS1-00002S	31.6	-	2	2
RX-HS020B-QS1-02000S	31.6	2	-	2
RX-HS020B-QS1-00003S	35	-	3	3
RX-HS020B-QS1-03000S	35	3	-	3
RX-HS020B-QS1-00006S	45.2	-	6	6
RX-HS020B-QS1-02004S	45.2	2	4	6
RX-HS020B-QS1-04002S	45.2	4	2	6
RX-HS020B-QS1-06000S	45.2	6	-	6
RX-HS020B-QS1-00012S	65.6	-	12	12
RX-HS020B-QS1-02010S	65.6	2	10	12
RX-HS020B-QS1-03009S	65.6	3	9	12
RX-HS020B-QS1-06006S	65.6	6	6	12
RX-HS020B-QS1-08004S	65.6	8	4	12
RX-HS020B-QS1-10002S	65.6	10	2	12
RX-HS020B-QS1-12000S	65.6	12	-	12
RX-HS020B-QS1-00018S	86	-	18	18
RX-HS020B-QS1-02016S	86	2	16	18
RX-HS020B-QS1-04014S	86	4	14	18
RX-HS020B-QS1-06012S	86	6	12	18
RX-HS020B-QS1-08010S	86	8	10	18

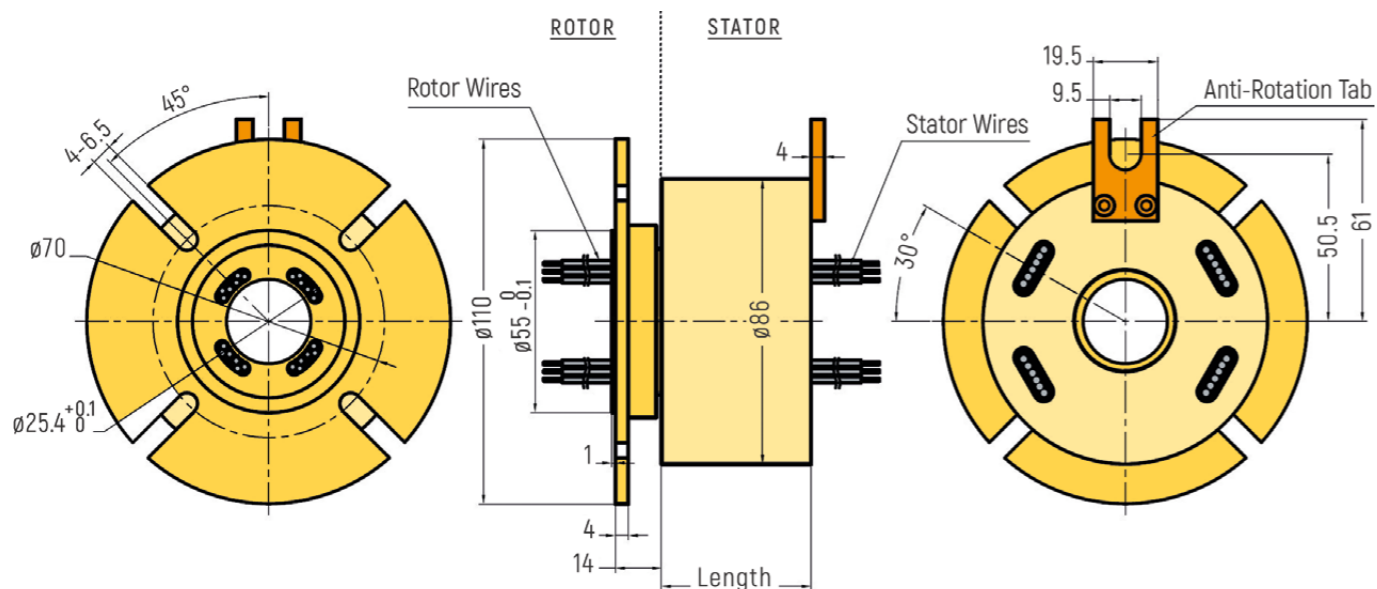
MODEL	LENGTH (mm)	NUMBER OF CIRCUITS		
		10A	Signal / 5A	Rings
RX-HS020B-QS1-10008S	86	10	8	18
RX-HS020B-QS1-12006S	86	12	6	18
RX-HS020B-QS1-14004S	86	14	4	18
RX-HS020B-QS1-16002S	86	16	2	18
RX-HS020B-QS1-00024S	106.4	-	24	24
RX-HS020B-QS1-04020S	106.4	4	20	24
RX-HS020B-QS1-06018S	106.4	6	18	24
RX-HS020B-QS1-12012S	106.4	12	12	24
RX-HS020B-QS1-18006S	106.4	18	6	24
RX-HS020B-QS1-24000S	106.4	24	-	24
RX-HS020B-QS1-00030S	126.8	-	30	30
RX-HS020B-QS1-02028S	126.8	2	28	30
RX-HS020B-QS1-04026S	126.8	4	26	30
RX-HS020B-QS1-06024S	126.8	6	24	30
RX-HS020B-QS1-00036S	150.2	-	36	36
RX-HS020B-QS1-04032S	150.2	4	32	36
RX-HS020B-QS1-06030S	150.2	6	30	36
RX-HS020B-QS1-00042S	170.6	-	42	42
RX-HS020B-QS1-04038S	191	4	38	42
RX-HS020B-QS1-00048S	191	-	48	48

RX-HS025A

Inner Diameter 25.4mm



Optional Flange Version (Drawing only exemplary, further details on request)

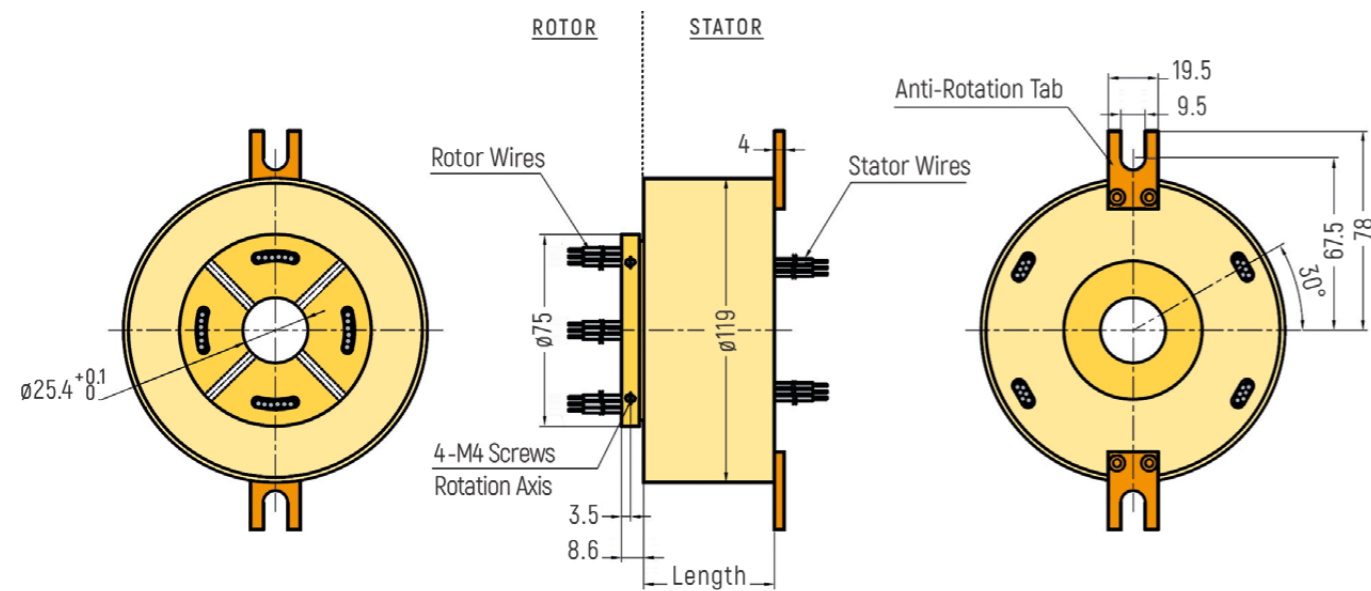


MODEL	LENGTH (mm)	NUMBER OF CIRCUITS		
		10A	Signal / 5A	Rings
RX-HS025A-QS1-00002S	31.6	-	2	2
RX-HS025A-QS1-02000S	31.6	2	-	2
RX-HS025A-QS1-00003S	35	-	3	3
RX-HS025A-QS1-03000S	35	3	-	3
RX-HS025A-QS1-00006S	45.2	-	6	6
RX-HS025A-QS1-02004S	45.2	2	4	6
RX-HS025A-QS1-04002S	45.2	4	2	6
RX-HS025A-QS1-06000S	45.2	6	-	6
RX-HS025A-QS1-00012S	65.6	-	12	12
RX-HS025A-QS1-02010S	65.6	2	10	12
RX-HS025A-QS1-03009S	65.6	3	9	12
RX-HS025A-QS1-06006S	65.6	6	6	12
RX-HS025A-QS1-08004S	65.6	8	4	12
RX-HS025A-QS1-10002S	65.6	10	2	12
RX-HS025A-QS1-12000S	65.6	12	-	12
RX-HS025A-QS1-00018S	86	-	18	18
RX-HS025A-QS1-02016S	86	2	16	18
RX-HS025A-QS1-04014S	86	4	14	18
RX-HS025A-QS1-06012S	86	6	12	18
RX-HS025A-QS1-08010S	86	8	10	18
RX-HS025A-QS1-10008S	86	10	8	18
RX-HS025A-QS1-12006S	86	12	6	18
RX-HS025A-QS1-14004S	86	14	4	18
RX-HS025A-QS1-16002S	86	16	2	18
RX-HS025A-QS1-00024S	106.4	-	24	24
RX-HS025A-QS1-04020S	106.4	4	20	24
RX-HS025A-QS1-06018S	106.4	6	18	24

MODEL	LENGTH (mm)	NUMBER OF CIRCUITS		
		10A	Signal / 5A	Rings
RX-HS025A-QS1-12012S	106.4	12	12	24
RX-HS025A-QS1-18006S	106.4	18	6	24
RX-HS025A-QS1-24000S	106.4	24	-	24
RX-HS025A-QS1-00030S	126.8	-	30	30
RX-HS025A-QS1-06024S	126.8	6	24	30
RX-HS025A-QS1-12018S	126.8	12	18	30
RX-HS025A-QS1-18012S	126.8	18	12	30
RX-HS025A-QS1-24006S	126.8	24	6	30
RX-HS025A-QS1-30000S	126.8	30	-	30
RX-HS025A-QS1-00036S	150.2	-	36	36
RX-HS025A-QS1-06030S	150.2	6	30	36
RX-HS025A-QS1-12024S	150.2	12	24	36
RX-HS025A-QS1-36000S	150.2	36	-	36
RX-HS025A-QS1-00042S	170.6	-	42	42
RX-HS025A-QS1-06036S	170.6	6	36	42
RX-HS025A-QS1-12030S	170.6	12	30	42
RX-HS025A-QS1-00048S	191	-	48	48
RX-HS025A-QS1-06042S	191	6	42	48
RX-HS025A-QS1-09039S	191	9	39	48
RX-HS025A-QS1-12036S	191	12	36	48
RX-HS025A-QS1-18030S	191	18	30	48
RX-HS025A-QS1-24024S	191	24	24	48
RX-HS025A-QS1-00060S	231.8	-	60	60
RX-HS025A-QS1-06054S	231.8	6	54	60
RX-HS025A-QS1-09051S	231.8	9	51	60
RX-HS025A-QS1-12048S	231.8	12	48	60
RX-HS025A-QS1-00072S	275.6	-	72	72

RX-HS025B

Inner Diameter 25.4mm

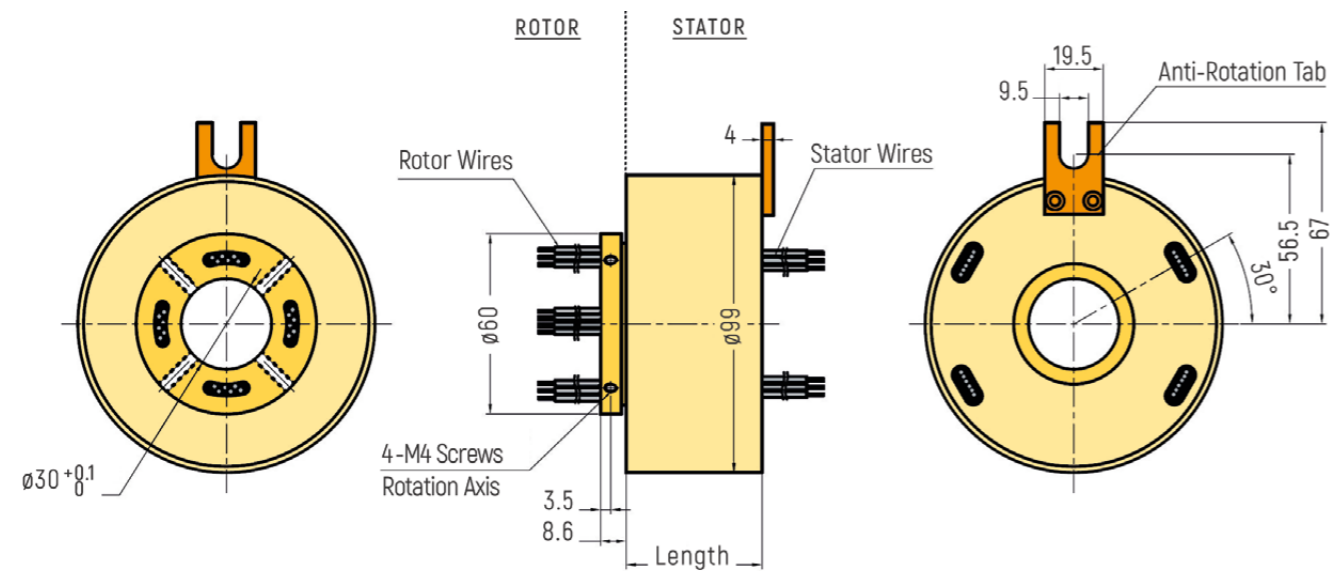


MODEL	LENGTH (mm)	NUMBER OF CIRCUITS		
		10A	Signal / 5A	Rings
RX-HS025B-QS1-00002S	36	-	2	2
RX-HS025B-QS1-02000S	36	2	-	2
RX-HS025B-QS1-00003S	39.8	-	3	3
RX-HS025B-QS1-03000S	39.8	3	-	3
RX-HS025B-QS1-00006S	51.2	-	6	6
RX-HS025B-QS1-02004S	51.2	2	4	6
RX-HS025B-QS1-04002S	51.2	4	2	6
RX-HS025B-QS1-06000S	51.2	6	-	6
RX-HS025B-QS1-00012S	74	-	12	12
RX-HS025B-QS1-02010S	74	2	10	12
RX-HS025B-QS1-03009S	74	3	9	12
RX-HS025B-QS1-06006S	74	6	6	12
RX-HS025B-QS1-08004S	74	8	4	12
RX-HS025B-QS1-10002S	74	10	2	12
RX-HS025B-QS1-12000S	74	12	-	12
RX-HS025B-QS1-00018S	96.8	-	18	18
RX-HS025B-QS1-02016S	96.8	2	16	18
RX-HS025B-QS1-04014S	96.8	4	14	18
RX-HS025B-QS1-06012S	96.8	6	12	18
RX-HS025B-QS1-08010S	96.8	8	10	18
RX-HS025B-QS1-10008S	96.8	10	8	18
RX-HS025B-QS1-12006S	96.8	12	6	18
RX-HS025B-QS1-14004S	96.8	14	4	18
RX-HS025B-QS1-16002S	96.8	16	2	18
RX-HS025B-QS1-00024S	119.6	-	24	24
RX-HS025B-QS1-04020S	119.6	4	20	24
RX-HS025B-QS1-06018S	119.6	6	18	24
RX-HS025B-QS1-12012S	119.6	12	12	24
RX-HS025B-QS1-18006S	119.6	18	6	24
RX-HS025B-QS1-24000S	119.6	24	-	24
RX-HS025B-QS1-00030S	142.4	-	30	30
RX-HS025B-QS1-06024S	142.4	6	24	30
RX-HS025B-QS1-12018S	142.4	12	18	30
RX-HS025B-QS1-18012S	142.4	18	12	30
RX-HS025B-QS1-24006S	142.4	24	6	30
RX-HS025B-QS1-30000S	142.4	30	-	30
RX-HS025B-QS1-00036S	169.2	-	36	36
RX-HS025B-QS1-06030S	169.2	6	30	36
RX-HS025B-QS1-12024S	169.2	12	24	36
RX-HS025B-QS1-36000S	169.2	36	-	36
RX-HS025B-QS1-00042S	192	-	42	42
RX-HS025B-QS1-06036S	192	6	36	42
RX-HS025B-QS1-12030S	192	12	30	42

MODEL	LENGTH (mm)	NUMBER OF CIRCUITS		
		10A	Signal / 5A	Rings
RX-HS025B-QS1-00048S	214.8	-	48	48
RX-HS025B-QS1-06042S	214.8	6	42	48
RX-HS025B-QS1-09039S	214.8	9	39	48
RX-HS025B-QS1-12036S	214.8	12	36	48
RX-HS025B-QS1-18030S	214.8	18	30	48
RX-HS025B-QS1-24024S	214.8	24	24	48
RX-HS025B-QS1-00060S	256.4	-	60	60
RX-HS025B-QS1-06054S	260.4	6	54	60
RX-HS025B-QS1-09051S	260.4	9	51	60
RX-HS025B-QS1-12048S	260.4	12	48	60
RX-HS025B-QS1-00072S	310	-	72	72
RX-HS025B-QS1-06066S	310	6	66	72
RX-HS025B-QS1-12060S	310	12	60	72
RX-HS025B-QS1-24048S	310	24	48	72
RX-HS025B-QS1-36036S	310	36	36	72
RX-HS025B-QS1-00084S	355.6	-	84	84
RX-HS025B-QS1-12072S	355.6	12	72	84
RX-HS025B-QS1-24060S	355.6	24	60	84
RX-HS025B-QS1-36048S	355.6	36	48	84
RX-HS025B-QS1-00096S	401.2	-	96	96
RX-HS025B-QS1-12084S	401.2	12	84	96
RX-HS025B-QS1-24072S	401.2	24	72	96
RX-HS025B-QS1-36060S	401.2	36	60	96
RX-HS025B-QS1-42054S	401.2	42	54	96
RX-HS025B-QS1-00108S	450.8	-	108	108
RX-HS025B-QS1-12096S	450.8	12	96	108
RX-HS025B-QS1-24084S	450.8	24	84	108
RX-HS025B-QS1-36072S	450.8	36	72	108
RX-HS025B-QS1-00120S	496.4	-	120	120
RX-HS025B-QS1-12108S	496.4	12	108	120
RX-HS025B-QS1-24096S	496.4	24	96	120
RX-HS025B-QS1-36084S	496.4	36	84	120
RX-HS025B-QS1-48072S	496.4	48	72	120
RX-HS025B-QS1-00132S	542	-	132	132
RX-HS025B-QS1-12120S	542	12	120	132
RX-HS025B-QS1-24108S	542	24	108	132
RX-HS025B-QS1-36096S	542	36	96	132
RX-HS025B-QS1-48084S	542	48	84	132
RX-HS025B-QS1-00144S	587.6	-	144	144
RX-HS025B-QS1-12132S	587.6	12	132	144
RX-HS025B-QS1-24120S	587.6	24	120	144
RX-HS025B-QS1-36108S	587.6	36	108	144
RX-HS025B-QS1-48096S	587.6	48	96	144

RX-HS030A

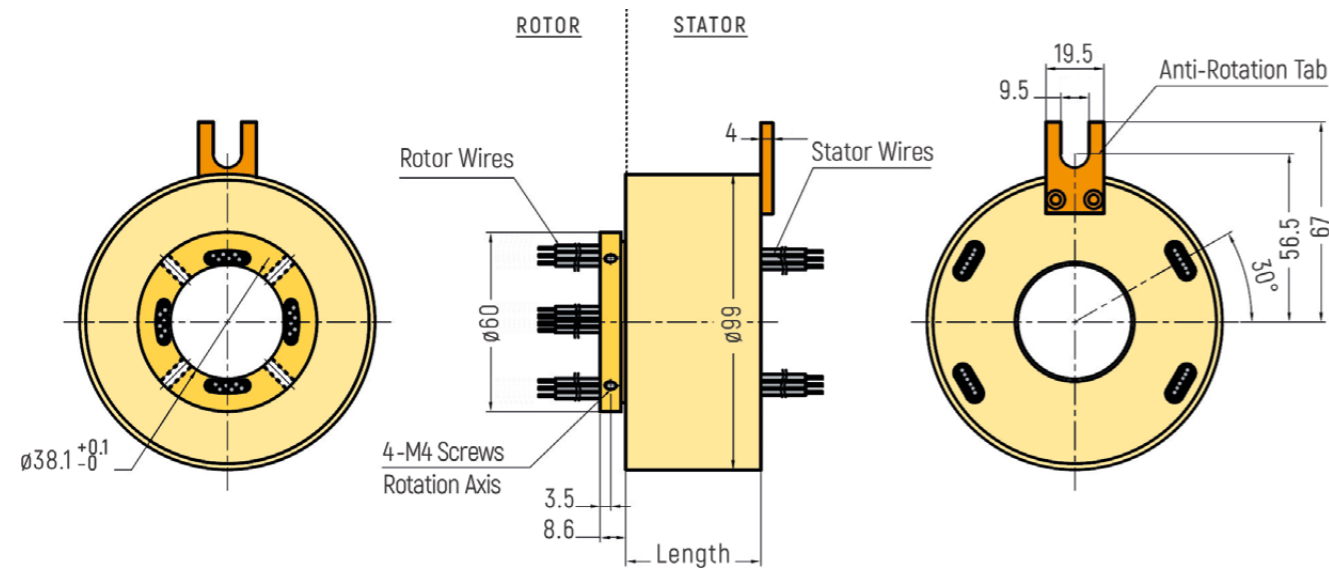
Inner Diameter 30mm



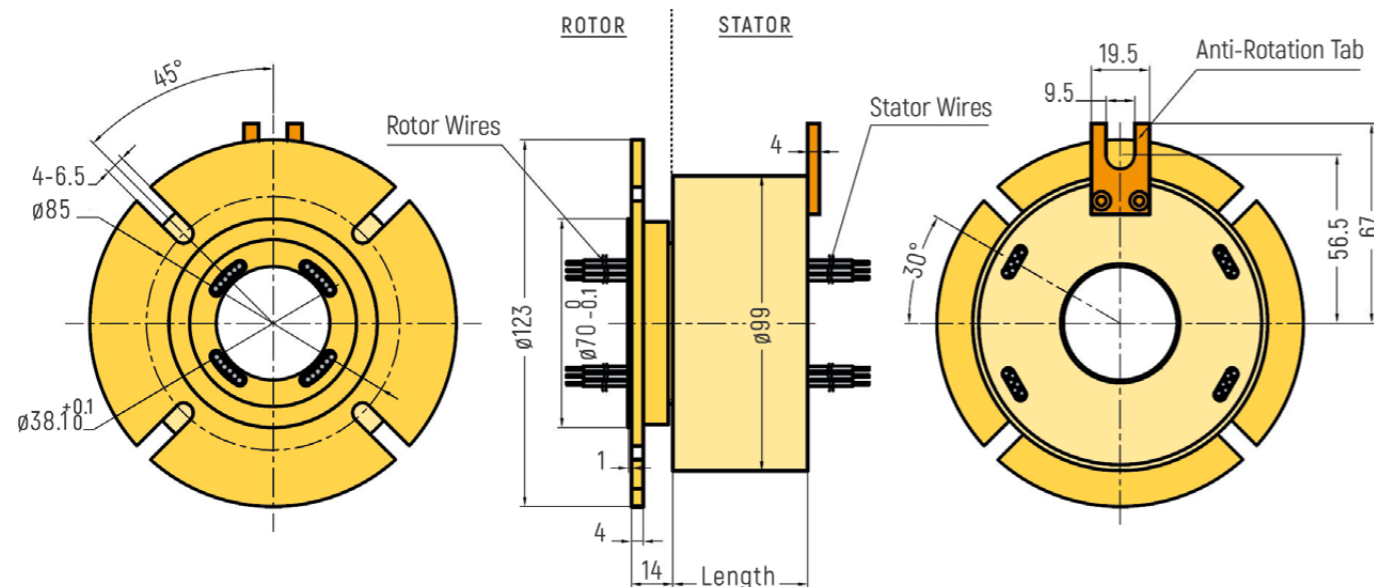
MODEL	LENGTH (mm)	NUMBER OF CIRCUITS		
		10A	Signal / 5A	Rings
RX-HS030A-QS1-00002S	31.6	-	2	2
RX-HS030A-QS1-02000S	31.6	2	-	2
RX-HS030A-QS1-00003S	35	-	3	3
RX-HS030A-QS1-03000S	35	3	-	3
RX-HS030A-QS1-00006S	45.2	-	6	6
RX-HS030A-QS1-02004S	45.2	2	4	6
RX-HS030A-QS1-04002S	45.2	4	2	6
RX-HS030A-QS1-06000S	45.2	6	-	6
RX-HS030A-QS1-00012S	65.6	-	12	12
RX-HS030A-QS1-02010S	65.6	2	10	12
RX-HS030A-QS1-03009S	65.6	3	9	12
RX-HS030A-QS1-06006S	65.6	6	6	12
RX-HS030A-QS1-08004S	65.6	8	4	12
RX-HS030A-QS1-10002S	65.6	10	2	12
RX-HS030A-QS1-12000S	65.6	12	-	12
RX-HS030A-QS1-00018S	86	-	18	18
RX-HS030A-QS1-02016S	86	2	16	18
RX-HS030A-QS1-04014S	86	4	14	18
RX-HS030A-QS1-06012S	86	6	12	18
RX-HS030A-QS1-08010S	86	8	10	18
RX-HS030A-QS1-10008S	86	10	8	18
RX-HS030A-QS1-12006S	86	12	6	18
RX-HS030A-QS1-14004S	86	14	4	18
RX-HS030A-QS1-16002S	86	16	2	18
RX-HS030A-QS1-00024S	106.4	-	24	24
RX-HS030A-QS1-04020S	106.4	4	20	24
RX-HS030A-QS1-06018S	106.4	6	18	24
RX-HS030A-QS1-12012S	106.4	12	12	24
RX-HS030A-QS1-18006S	106.4	18	6	24
RX-HS030A-QS1-24000S	106.4	24	-	24
RX-HS030A-QS1-00030S	126.8	-	30	30
RX-HS030A-QS1-06024S	126.8	6	24	30
RX-HS030A-QS1-12018S	126.8	12	18	30
RX-HS030A-QS1-18012S	126.8	18	12	30
RX-HS030A-QS1-24006S	126.8	24	6	30
RX-HS030A-QS1-30000S	126.8	30	-	30
RX-HS030A-QS1-00036S	150.2	-	36	36
RX-HS030A-QS1-06030S	150.2	6	30	36
RX-HS030A-QS1-12024S	150.2	12	24	36
RX-HS030A-QS1-36000S	150.2	36	-	36
RX-HS030A-QS1-00042S	170.6	-	42	42
RX-HS030A-QS1-06036S	170.6	6	36	42
RX-HS030A-QS1-12030S	170.6	12	30	42
RX-HS030A-QS1-00048S	191	-	48	48
RX-HS030A-QS1-06042S	191	6	42	48
RX-HS030A-QS1-09039S	191	9	39	48
RX-HS030A-QS1-12036S	191	12	36	48
RX-HS030A-QS1-18030S	191	18	30	48
RX-HS030A-QS1-24024S	191	24	24	48
RX-HS030A-QS1-00060S	231.8	-	60	60
RX-HS030A-QS1-06054S	231.8	6	54	60
RX-HS030A-QS1-09051S	231.8	9	51	60
RX-HS030A-QS1-12048S	231.8	12	48	60
RX-HS030A-QS1-00072S	275.6	-	72	72

RX-HS038A

Inner Diameter 38.1mm



Optional Flange Version (Drawing only exemplary, further details on request)

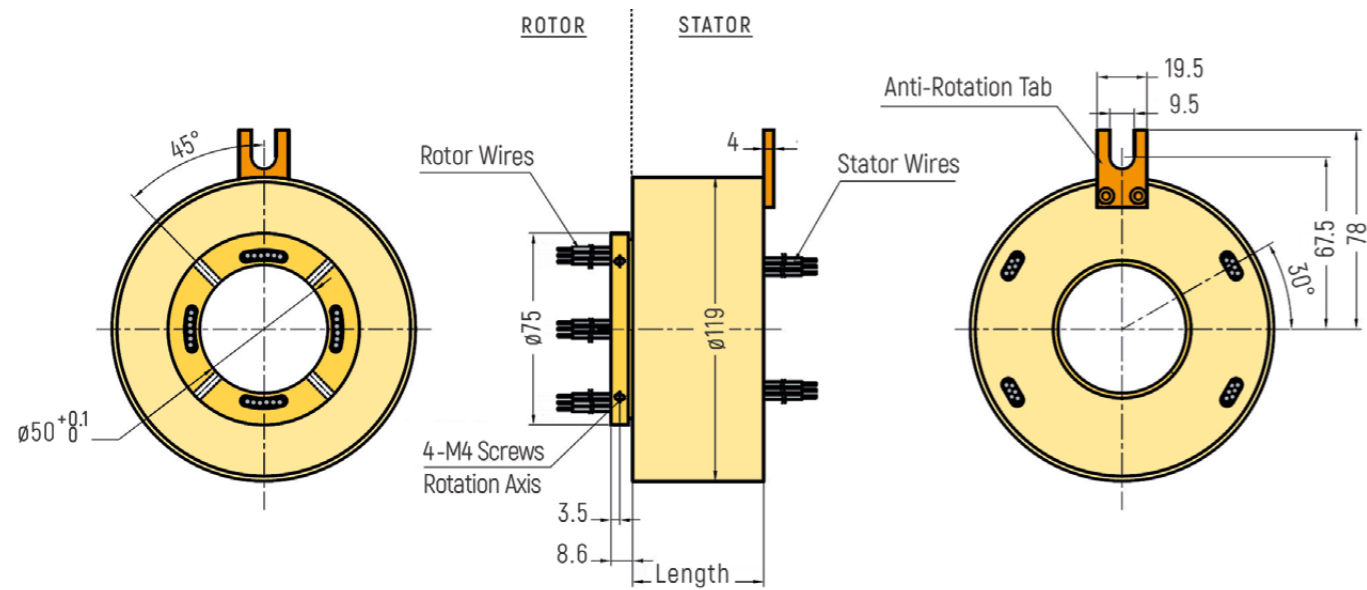


MODEL	LENGTH (mm)	NUMBER OF CIRCUITS		
		10A	Signal / 5A	Rings
RX-HS038A-QS1-00002S	31.6	-	2	2
RX-HS038A-QS1-02000S	31.6	2	-	2
RX-HS038A-QS1-00003S	35	-	3	3
RX-HS038A-QS1-03000S	35	3	-	3
RX-HS038A-QS1-00006S	45.2	-	6	6
RX-HS038A-QS1-02004S	45.2	2	4	6
RX-HS038A-QS1-04002S	45.2	4	2	6
RX-HS038A-QS1-06000S	45.2	6	-	6
RX-HS038A-QS1-00012S	65.6	-	12	12
RX-HS038A-QS1-02010S	65.6	2	10	12
RX-HS038A-QS1-03009S	65.6	3	9	12
RX-HS038A-QS1-06006S	65.6	6	6	12
RX-HS038A-QS1-08004S	65.6	8	4	12
RX-HS038A-QS1-10002S	65.6	10	2	12
RX-HS038A-QS1-12000S	65.6	12	-	12
RX-HS038A-QS1-00018S	86	-	18	18
RX-HS038A-QS1-02016S	86	2	16	18
RX-HS038A-QS1-04014S	86	4	14	18
RX-HS038A-QS1-06012S	86	6	12	18
RX-HS038A-QS1-08010S	86	8	10	18
RX-HS038A-QS1-10008S	86	10	8	18
RX-HS038A-QS1-12006S	86	12	6	18
RX-HS038A-QS1-14004S	86	14	4	18
RX-HS038A-QS1-16002S	86	16	2	18
RX-HS038A-QS1-00024S	106.4	-	24	24
RX-HS038A-QS1-04020S	106.4	4	20	24
RX-HS038A-QS1-06018S	106.4	6	18	24

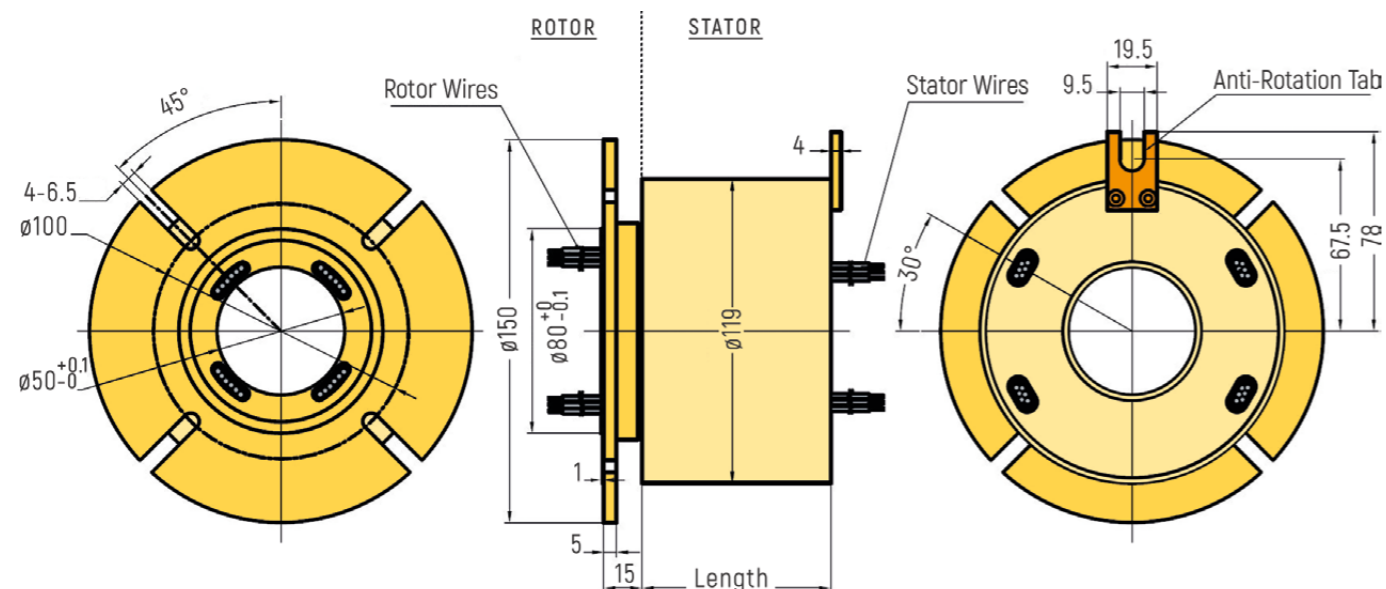
MODEL	LENGTH (mm)	NUMBER OF CIRCUITS		
		10A	Signal / 5A	Rings
RX-HS038A-QS1-12012S	106.4	12	12	24
RX-HS038A-QS1-18006S	106.4	18	6	24
RX-HS038A-QS1-24000S	106.4	24	-	24
RX-HS038A-QS1-00030S	126.8	-	30	30
RX-HS038A-QS1-06024S	126.8	6	24	30
RX-HS038A-QS1-12018S	126.8	12	18	30
RX-HS038A-QS1-18012S	126.8	18	12	30
RX-HS038A-QS1-24006S	126.8	24	6	30
RX-HS038A-QS1-30000S	126.8	30	-	30
RX-HS038A-QS1-00036S	150.2	-	36	36
RX-HS038A-QS1-06030S	150.2	6	30	36
RX-HS038A-QS1-12024S	150.2	12	24	36
RX-HS038A-QS1-36000S	150.2	36	-	36
RX-HS038A-QS1-00042S	170.6	-	42	42
RX-HS038A-QS1-06036S	170.6	6	36	42
RX-HS038A-QS1-12030S	170.6	12	30	42
RX-HS038A-QS1-00048S	191	-	48	48
RX-HS038A-QS1-06042S	191	6	42	48
RX-HS038A-QS1-09039S	191	9	39	48
RX-HS038A-QS1-12036S	191	12	36	48
RX-HS038A-QS1-18030S	191	18	30	48
RX-HS038A-QS1-24024S	191	24	24	48
RX-HS038A-QS1-00060S	231.8	-	60	60
RX-HS038A-QS1-06054S	231.8	6	54	60
RX-HS038A-QS1-09051S	231.8	9	51	60
RX-HS038A-QS1-12048S	231.8	12	48	60
RX-HS038A-QS1-00072S	275.6	-	72	72

RX-HS050A

Inner Diameter 50mm



Optional Flange Version (Drawing only exemplary, further details on request)

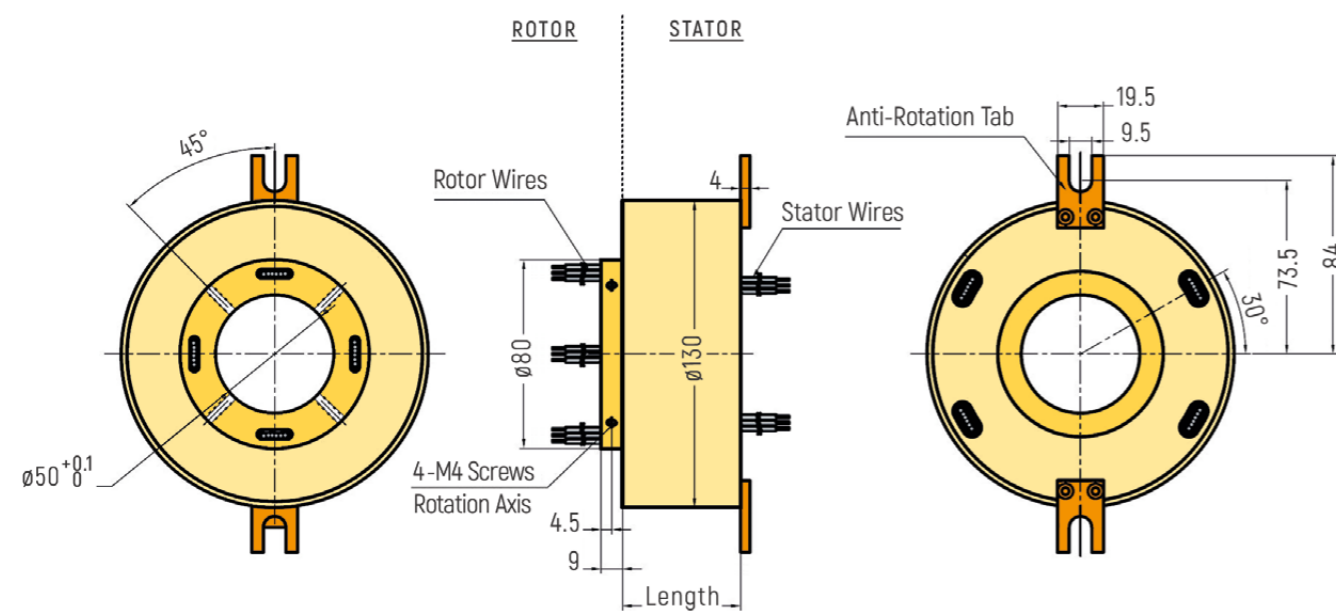


MODEL	LENGTH (mm)	NUMBER OF CIRCUITS		
		10A	Signal / 5A	Rings
RX-HS050A-QS1-00002S	36	-	2	2
RX-HS050A-QS1-02000S	36	2	-	2
RX-HS050A-QS1-00003S	39.8	-	3	3
RX-HS050A-QS1-03000S	39.8	3	-	3
RX-HS050A-QS1-00006S	51.2	-	6	6
RX-HS050A-QS1-02004S	51.2	2	4	6
RX-HS050A-QS1-04002S	51.2	4	2	6
RX-HS050A-QS1-06000S	51.2	6	-	6
RX-HS050A-QS1-00012S	74	-	12	12
RX-HS050A-QS1-02010S	74	2	10	12
RX-HS050A-QS1-03009S	74	3	9	12
RX-HS050A-QS1-06006S	74	6	6	12
RX-HS050A-QS1-08004S	74	8	4	12
RX-HS050A-QS1-10002S	74	10	2	12
RX-HS050A-QS1-12000S	74	12	-	12
RX-HS050A-QS1-00018S	96.8	-	18	18
RX-HS050A-QS1-02016S	96.8	2	16	18
RX-HS050A-QS1-04014S	96.8	4	14	18
RX-HS050A-QS1-06012S	96.8	6	12	18
RX-HS050A-QS1-08010S	96.8	8	10	18
RX-HS050A-QS1-10008S	96.8	10	8	18
RX-HS050A-QS1-12006S	96.8	12	6	18
RX-HS050A-QS1-14004S	96.8	14	4	18
RX-HS050A-QS1-16002S	96.8	16	2	18
RX-HS050A-QS1-00024S	119.6	-	24	24
RX-HS050A-QS1-04020S	119.6	4	20	24
RX-HS050A-QS1-06018S	119.6	6	18	24
RX-HS050A-QS1-12012S	119.6	12	12	24
RX-HS050A-QS1-18006S	119.6	18	6	24
RX-HS050A-QS1-24000S	119.6	24	-	24
RX-HS050A-QS1-00030S	142.4	-	30	30
RX-HS050A-QS1-06024S	142.4	6	24	30
RX-HS050A-QS1-12018S	142.4	12	18	30
RX-HS050A-QS1-18012S	142.4	18	12	30
RX-HS050A-QS1-24006S	142.4	24	6	30
RX-HS050A-QS1-30000S	142.4	30	-	30

MODEL	LENGTH (mm)	NUMBER OF CIRCUITS		
		10A	Signal / 5A	Rings
RX-HS050A-QS1-00036S	165.2	-	36	36
RX-HS050A-QS1-06030S	165.2	6	30	36
RX-HS050A-QS1-12024S	165.2	12	24	36
RX-HS050A-QS1-36000S	165.2	36	-	36
RX-HS050A-QS1-00042S	192	-	42	42
RX-HS050A-QS1-06036S	192	6	36	42
RX-HS050A-QS1-12030S	192	12	30	42
RX-HS050A-QS1-00048S	214.8	-	48	48
RX-HS050A-QS1-06042S	214.8	6	42	48
RX-HS050A-QS1-09039S	214.8	9	39	48
RX-HS050A-QS1-12036S	214.8	12	36	48
RX-HS050A-QS1-18030S	214.8	18	30	48
RX-HS050A-QS1-24024S	214.8	24	24	48
RX-HS050A-QS1-00060S	260.4	-	60	60
RX-HS050A-QS1-06054S	260.4	6	54	60
RX-HS050A-QS1-09051S	260.4	9	51	60
RX-HS050A-QS1-12048S	260.4	12	48	60
RX-HS050A-QS1-00072S	310	-	72	72
RX-HS050A-QS1-06066S	310	6	66	72
RX-HS050A-QS1-12060S	310	12	60	72
RX-HS050A-QS1-24048S	310	24	48	72
RX-HS050A-QS1-36036S	310	36	36	72
RX-HS050A-QS1-00084S	355.6	-	84	84
RX-HS050A-QS1-12072S	355.6	12	72	84
RX-HS050A-QS1-24060S	355.6	24	60	84
RX-HS050A-QS1-36048S	355.6	36	48	84
RX-HS050A-QS1-00096S	401.2	-	96	96
RX-HS050A-QS1-12084S	401.2	12	84	96
RX-HS050A-QS1-24072S	401.2	24	72	96
RX-HS050A-QS1-36060S	401.2	36	60	96
RX-HS050A-QS1-42054S	401.2	42	54	96
RX-HS050A-QS1-00108S	450.8	-	108	108
RX-HS050A-QS1-12096S	450.8	12	96	108
RX-HS050A-QS1-24084S	450.8	24	84	108
RX-HS050A-QS1-36072S	450.8	36	72	108
RX-HS050A-QS1-48060S	450.8	48	60	108

RX-HS050B

Inner Diameter 50mm

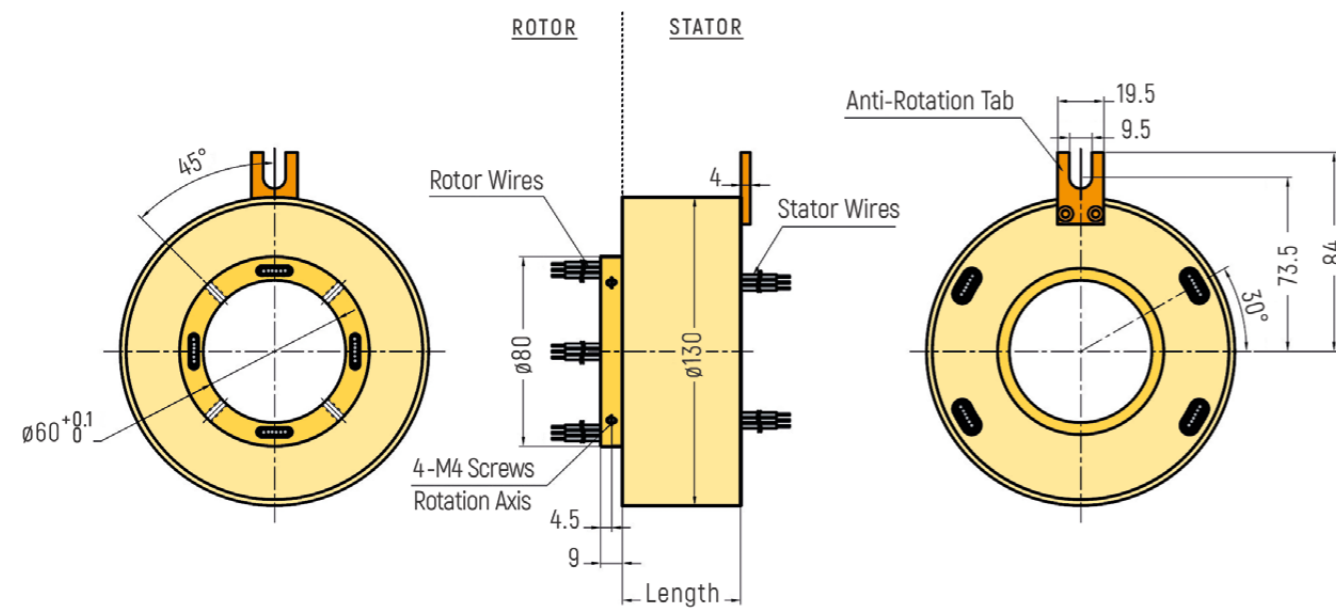


MODEL	LENGTH (mm)	NUMBER OF CIRCUITS		
		10A	Signal / 5A	Rings
RX-HS050B-QS1-00002S	35.6	-	2	2
RX-HS050B-QS1-02000S	35.6	2	-	2
RX-HS050B-QS1-00003S	39.2	-	3	3
RX-HS050B-QS1-03000S	39.2	3	-	3
RX-HS050B-QS1-00006S	50	-	6	6
RX-HS050B-QS1-02004S	50	2	4	6
RX-HS050B-QS1-04002S	50	4	2	6
RX-HS050B-QS1-06000S	50	6	-	6
RX-HS050B-QS1-00012S	71.6	-	12	12
RX-HS050B-QS1-02010S	71.6	2	10	12
RX-HS050B-QS1-03009S	71.6	3	9	12
RX-HS050B-QS1-06006S	71.6	6	6	12
RX-HS050B-QS1-08004S	71.6	8	4	12
RX-HS050B-QS1-10002S	71.6	10	2	12
RX-HS050B-QS1-12000S	71.6	12	-	12
RX-HS050B-QS1-00018S	93.2	-	18	18
RX-HS050B-QS1-02016S	93.2	2	16	18
RX-HS050B-QS1-04014S	93.2	4	14	18
RX-HS050B-QS1-06012S	93.2	6	12	18
RX-HS050B-QS1-08010S	93.2	8	10	18
RX-HS050B-QS1-10008S	93.2	10	8	18
RX-HS050B-QS1-12006S	93.2	12	6	18
RX-HS050B-QS1-14004S	93.2	14	4	18
RX-HS050B-QS1-16002S	93.2	16	2	18
RX-HS050B-QS1-00024S	114.8	-	24	24
RX-HS050B-QS1-04020S	114.8	4	20	24
RX-HS050B-QS1-06018S	114.8	6	18	24
RX-HS050B-QS1-12012S	114.8	12	12	24
RX-HS050B-QS1-18006S	114.8	18	6	24
RX-HS050B-QS1-24000S	114.8	24	-	24
RX-HS050B-QS1-00030S	136.4	-	30	30
RX-HS050B-QS1-06024S	136.4	6	24	30
RX-HS050B-QS1-12018S	136.4	12	18	30
RX-HS050B-QS1-18012S	136.4	18	12	30
RX-HS050B-QS1-24006S	136.4	24	6	30
RX-HS050B-QS1-30000S	136.4	30	-	30
RX-HS050B-QS1-00036S	162	-	36	36
RX-HS050B-QS1-06030S	162	6	30	36
RX-HS050B-QS1-12024S	162	12	24	36
RX-HS050B-QS1-36000S	162	36	-	36
RX-HS050B-QS1-00042S	183.6	-	42	42
RX-HS050B-QS1-06036S	183.6	6	36	42
RX-HS050B-QS1-12030S	183.6	12	30	42

MODEL	LENGTH (mm)	NUMBER OF CIRCUITS		
		10A	Signal / 5A	Rings
RX-HS050B-QS1-00048S	205.2	-	48	48
RX-HS050B-QS1-06042S	205.2	6	42	48
RX-HS050B-QS1-09039S	205.2	9	39	48
RX-HS050B-QS1-12036S	205.2	12	36	48
RX-HS050B-QS1-18030S	205.2	18	30	48
RX-HS050B-QS1-24024S	205.2	24	24	48
RX-HS050B-QS1-00060S	248.4	-	60	60
RX-HS050B-QS1-06054S	248.4	6	54	60
RX-HS050B-QS1-09051S	248.4	9	51	60
RX-HS050B-QS1-12048S	248.4	12	48	60
RX-HS050B-QS1-00072S	295.6	-	72	72
RX-HS050B-QS1-06066S	295.6	6	66	72
RX-HS050B-QS1-12060S	295.6	12	60	72
RX-HS050B-QS1-24048S	295.6	24	48	72
RX-HS050B-QS1-36036S	295.6	36	36	72
RX-HS050B-QS1-00084S	338.8	-	84	84
RX-HS050B-QS1-12072S	338.8	12	72	84
RX-HS050B-QS1-24060S	338.8	24	60	84
RX-HS050B-QS1-36048S	338.8	36	48	84
RX-HS050B-QS1-00096S	382	-	96	96
RX-HS050B-QS1-12084S	382	12	84	96
RX-HS050B-QS1-24072S	382	24	72	96
RX-HS050B-QS1-36060S	382	36	60	96
RX-HS050B-QS1-42054S	382	42	54	96
RX-HS050B-QS1-00108S	429.2	-	108	108
RX-HS050B-QS1-12096S	429.2	12	96	108
RX-HS050B-QS1-24084S	429.2	24	84	108
RX-HS050B-QS1-36072S	429.2	36	72	108
RX-HS050B-QS1-00120S	472.4	-	120	120
RX-HS050B-QS1-12108S	472.4	12	108	120
RX-HS050B-QS1-24096S	472.4	24	96	120
RX-HS050B-QS1-36084S	472.4	36	84	120
RX-HS050B-QS1-48072S	472.4	48	72	120
RX-HS050B-QS1-00132S	515.6	-	132	132
RX-HS050B-QS1-12120S	515.6	12	120	132
RX-HS050B-QS1-24108S	515.6	24	108	132
RX-HS050B-QS1-36096S	515.6	36	96	132
RX-HS050B-QS1-48084S	515.6	48	84	132
RX-HS050B-QS1-00144S	558.8	-	144	144
RX-HS050B-QS1-12132S	558.8	12	132	144
RX-HS050B-QS1-24120S	558.8	24	120	144
RX-HS050B-QS1-36108S	558.8	36	108	144
RX-HS050B-QS1-48096S	558.8	48	96	144

RX-HS060A

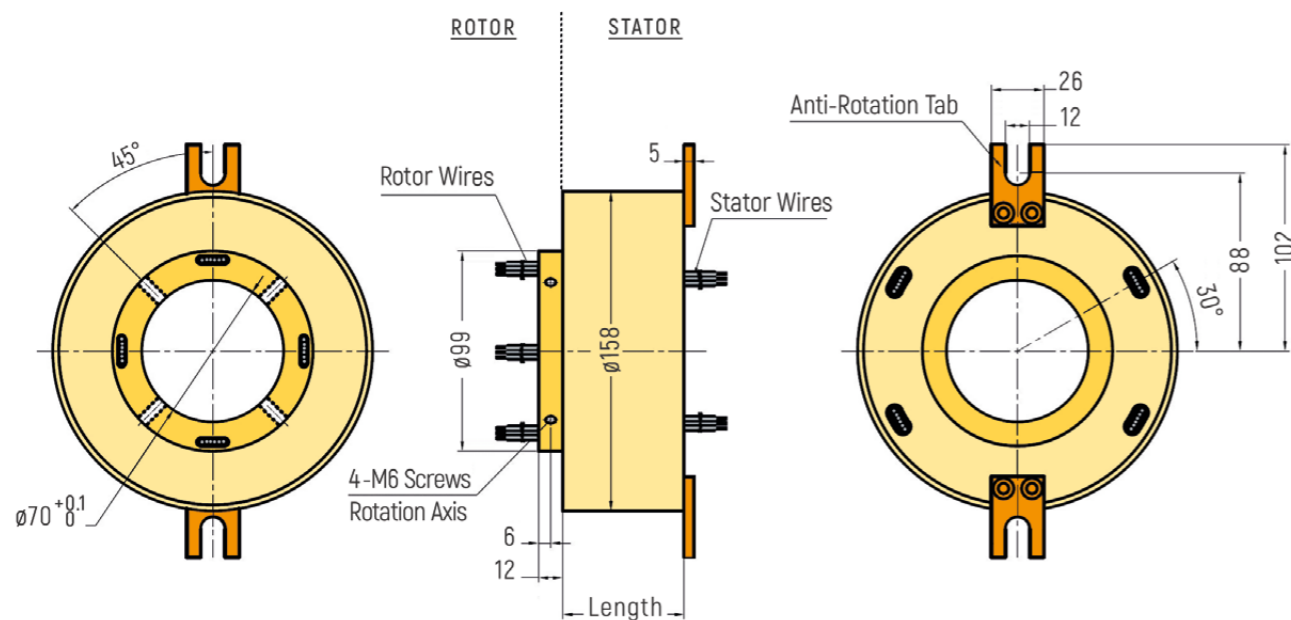
Inner Diameter 60mm



MODEL	LENGTH (mm)	NUMBER OF CIRCUITS			MODEL	LENGTH (mm)	NUMBER OF CIRCUITS		
		10A	Signal / 5A	Rings			10A	Signal / 5A	Rings
RX-HS060A-QS1-00002S	35.6	-	2	2	RX-HS060A-QS1-00036S	162	-	36	36
RX-HS060A-QS1-02000S	35.6	2	-	2	RX-HS060A-QS1-06030S	162	6	30	36
RX-HS060A-QS1-00003S	39.2	-	3	3	RX-HS060A-QS1-12024S	162	12	24	36
RX-HS060A-QS1-03000S	39.2	3	-	3	RX-HS060A-QS1-36000S	162	36	-	36
RX-HS060A-QS1-00006S	50	-	6	6	RX-HS060A-QS1-00042S	183.6	-	42	42
RX-HS060A-QS1-02004S	50	2	4	6	RX-HS060A-QS1-06036S	183.6	6	36	42
RX-HS060A-QS1-04002S	50	4	2	6	RX-HS060A-QS1-12030S	183.6	12	30	42
RX-HS060A-QS1-06000S	50	6	-	6	RX-HS060A-QS1-00048S	205.2	-	48	48
RX-HS060A-QS1-00012S	71.6	-	12	12	RX-HS060A-QS1-06042S	205.2	6	42	48
RX-HS060A-QS1-02010S	71.6	2	10	12	RX-HS060A-QS1-09039S	205.2	9	39	48
RX-HS060A-QS1-03009S	71.6	3	9	12	RX-HS060A-QS1-12036S	205.2	12	36	48
RX-HS060A-QS1-06006S	71.6	6	6	12	RX-HS060A-QS1-18030S	205.2	18	30	48
RX-HS060A-QS1-08004S	71.6	8	4	12	RX-HS060A-QS1-24024S	205.2	24	24	48
RX-HS060A-QS1-10002S	71.6	10	2	12	RX-HS060A-QS1-00060S	248.4	-	60	60
RX-HS060A-QS1-12000S	71.6	12	-	12	RX-HS060A-QS1-06054S	248.4	6	54	60
RX-HS060A-QS1-00018S	93.2	-	18	18	RX-HS060A-QS1-09051S	248.4	9	51	60
RX-HS060A-QS1-02016S	93.2	2	16	18	RX-HS060A-QS1-12048S	248.4	12	48	60
RX-HS060A-QS1-04014S	93.2	4	14	18	RX-HS060A-QS1-00072S	295.6	-	72	72
RX-HS060A-QS1-06012S	93.2	6	12	18	RX-HS060A-QS1-06066S	295.6	6	66	72
RX-HS060A-QS1-08010S	93.2	8	10	18	RX-HS060A-QS1-12060S	295.6	12	60	72
RX-HS060A-QS1-10008S	93.2	10	8	18	RX-HS060A-QS1-24048S	295.6	24	48	72
RX-HS060A-QS1-12006S	93.2	12	6	18	RX-HS060A-QS1-36036S	295.6	36	36	72
RX-HS060A-QS1-14004S	93.2	14	4	18	RX-HS060A-QS1-00084S	338.8	-	84	84
RX-HS060A-QS1-16002S	93.2	16	2	18	RX-HS060A-QS1-12072S	338.8	12	72	84
RX-HS060A-QS1-00024S	114.8	-	24	24	RX-HS060A-QS1-24060S	338.8	24	60	84
RX-HS060A-QS1-04020S	114.8	4	20	24	RX-HS060A-QS1-36048S	338.8	36	48	84
RX-HS060A-QS1-06018S	114.8	6	18	24	RX-HS060A-QS1-00096S	382	-	96	96
RX-HS060A-QS1-12012S	114.8	12	12	24	RX-HS060A-QS1-12084S	382	12	84	96
RX-HS060A-QS1-18006S	114.8	18	6	24	RX-HS060A-QS1-24072S	382	24	72	96
RX-HS060A-QS1-24000S	114.8	24	-	24	RX-HS060A-QS1-36060S	382	36	60	96
RX-HS060A-QS1-00030S	136.4	-	30	30	RX-HS060A-QS1-42054S	382	42	54	96
RX-HS060A-QS1-06024S	136.4	6	24	30	RX-HS060A-QS1-00108S	429.2	-	108	108
RX-HS060A-QS1-12018S	136.4	12	18	30	RX-HS060A-QS1-12096S	429.2	12	96	108
RX-HS060A-QS1-18012S	136.4	18	12	30	RX-HS060A-QS1-24084S	429.2	24	84	108
RX-HS060A-QS1-24006S	136.4	24	6	30	RX-HS060A-QS1-36072S	429.2	36	72	108
RX-HS060A-QS1-30000S	136.4	30	-	30	RX-HS060A-QS1-48060S	429.2	48	60	108

RX-HS070A

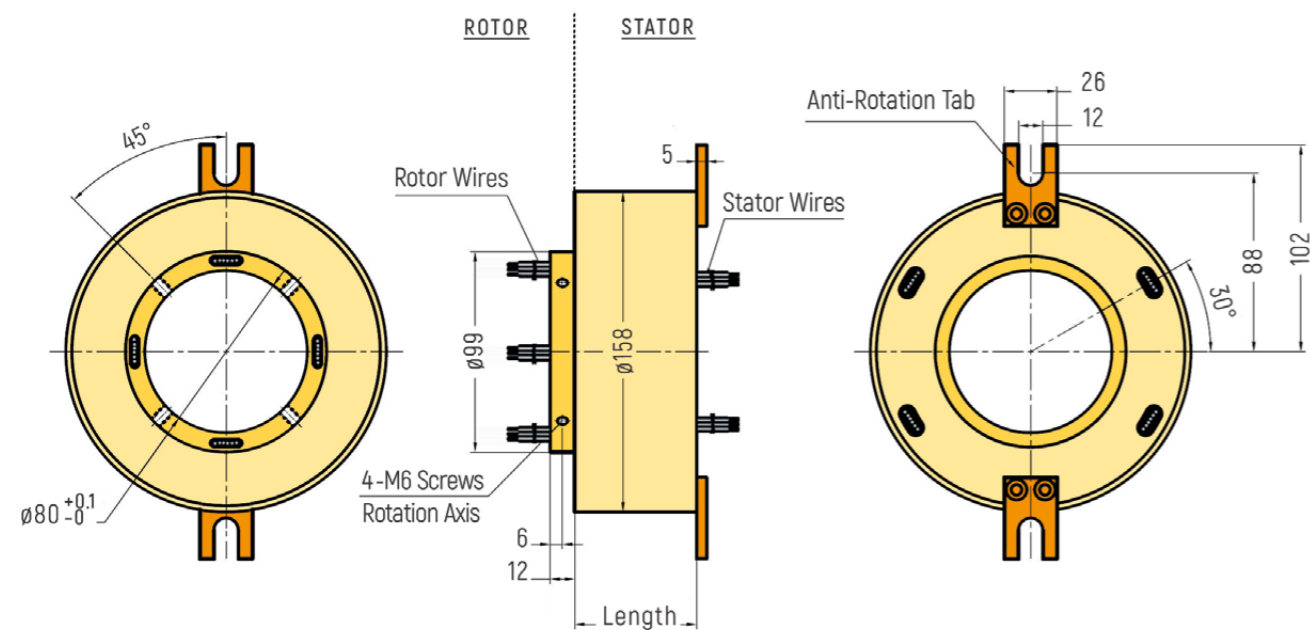
Inner Diameter 70mm



MODEL	LENGTH (mm)	NUMBER OF CIRCUITS			MODEL	LENGTH (mm)	NUMBER OF CIRCUITS		
		10A	Signal / 5A	Rings			10A	Signal / 5A	Rings
RX-HS070A-QS1-00002S	45.6	-	2	2	RX-HS070A-QS1-00036S	172	-	36	36
RX-HS070A-QS1-02000S	45.6	2	-	2	RX-HS070A-QS1-06030S	172	6	30	36
RX-HS070A-QS1-00003S	49.2	-	3	3	RX-HS070A-QS1-12024S	172	12	24	36
RX-HS070A-QS1-03000S	49.2	3	-	3	RX-HS070A-QS1-36000S	172	36	-	36
RX-HS070A-QS1-00006S	60	-	6	6	RX-HS070A-QS1-00042S	193.6	-	42	42
RX-HS070A-QS1-02004S	60	2	4	6	RX-HS070A-QS1-06036S	193.6	6	36	42
RX-HS070A-QS1-04002S	60	4	2	6	RX-HS070A-QS1-12030S	193.6	12	30	42
RX-HS070A-QS1-06000S	60	6	-	6	RX-HS070A-QS1-00048S	215.2	-	48	48
RX-HS070A-QS1-00012S	81.6	-	12	12	RX-HS070A-QS1-06042S	215.2	6	42	48
RX-HS070A-QS1-02010S	81.6	2	10	12	RX-HS070A-QS1-09039S	215.2	9	39	48
RX-HS070A-QS1-03009S	81.6	3	9	12	RX-HS070A-QS1-12036S	215.2	12	36	48
RX-HS070A-QS1-06006S	81.6	6	6	12	RX-HS070A-QS1-18030S	215.2	18	30	48
RX-HS070A-QS1-08004S	81.6	8	4	12	RX-HS070A-QS1-24024S	215.2	24	24	48
RX-HS070A-QS1-10002S	81.6	10	2	12	RX-HS070A-QS1-00060S	258.4	-	60	60
RX-HS070A-QS1-12000S	81.6	12	-	12	RX-HS070A-QS1-06054S	258.4	6	54	60
RX-HS070A-QS1-00018S	103.2	-	18	18	RX-HS070A-QS1-09051S	258.4	9	51	60
RX-HS070A-QS1-02016S	103.2	2	16	18	RX-HS070A-QS1-12048S	258.4	12	48	60
RX-HS070A-QS1-04014S	103.2	4	14	18	RX-HS070A-QS1-00072S	305.6	-	72	72
RX-HS070A-QS1-06012S	103.2	6	12	18	RX-HS070A-QS1-06066S	305.6	6	66	72
RX-HS070A-QS1-08010S	103.2	8	10	18	RX-HS070A-QS1-12060S	305.6	12	60	72
RX-HS070A-QS1-10008S	103.2	10	8	18	RX-HS070A-QS1-24048S	305.6	24	48	72
RX-HS070A-QS1-12006S	103.2	12	6	18	RX-HS070A-QS1-36036S	305.6	36	36	72
RX-HS070A-QS1-14004S	103.2	14	4	18	RX-HS070A-QS1-00084S	348.8	-	84	84
RX-HS070A-QS1-16002S	103.2	16	2	18	RX-HS070A-QS1-12072S	348.8	12	72	84
RX-HS070A-QS1-00024S	124.8	-	24	24	RX-HS070A-QS1-24060S	348.8	24	60	84
RX-HS070A-QS1-04020S	124.8	4	20	24	RX-HS070A-QS1-36048S	348.8	36	48	84
RX-HS070A-QS1-06018S	124.8	6	18	24	RX-HS070A-QS1-00096S	392	-	96	96
RX-HS070A-QS1-12012S	124.8	12	12	24	RX-HS070A-QS1-12084S	392	12	84	96
RX-HS070A-QS1-18006S	124.8	18	6	24	RX-HS070A-QS1-24072S	392	24	72	96
RX-HS070A-QS1-24000S	124.8	24	-	24	RX-HS070A-QS1-36060S	392	36	60	96
RX-HS070A-QS1-00030S	146.4	-	30	30	RX-HS070A-QS1-42054S	392	42	54	96
RX-HS070A-QS1-06024S	146.4	6	24	30	RX-HS070A-QS1-00108S	439.2	-	108	108
RX-HS070A-QS1-12018S	146.4	12	18	30	RX-HS070A-QS1-12096S	439.2	12	96	108
RX-HS070A-QS1-18012S	146.4	18	12	30	RX-HS070A-QS1-24084S	439.2	24	84	108
RX-HS070A-QS1-24006S	146.4	24	6	30	RX-HS070A-QS1-36072S	439.2	36	72	108
RX-HS070A-QS1-30000S	146.4	30	-	30	RX-HS070A-QS1-48060S	439.2	48	60	108

RX-HS080A

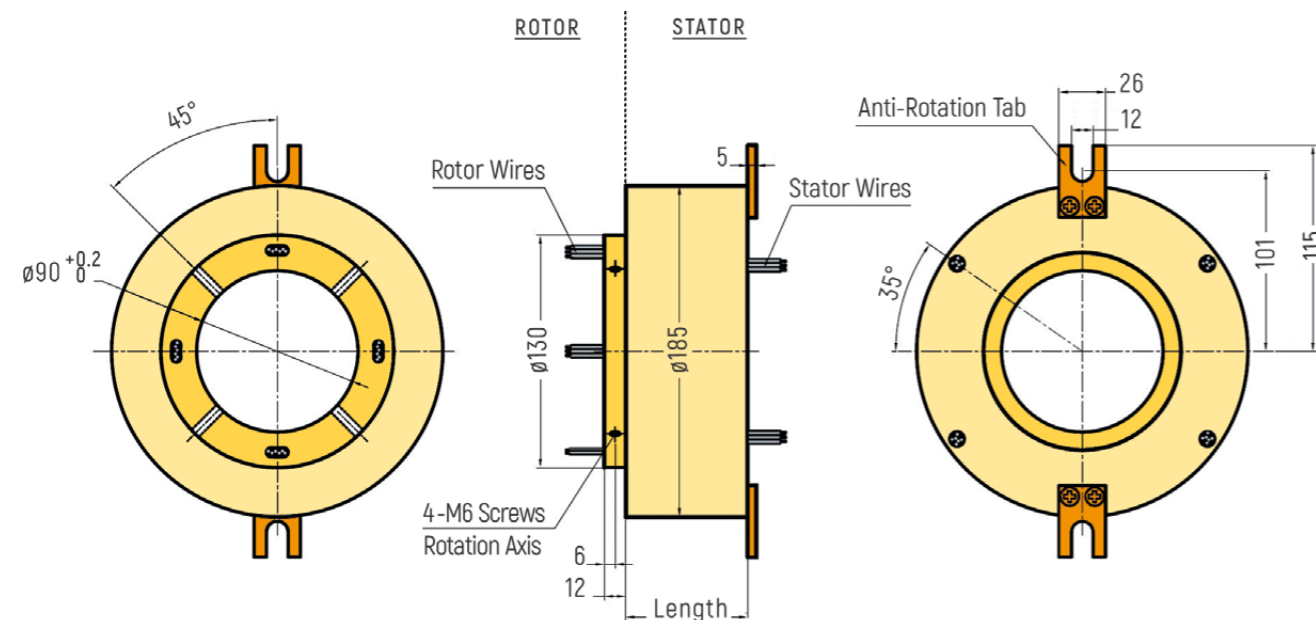
Inner Diameter 80mm



MODEL	LENGTH (mm)	NUMBER OF CIRCUITS			MODEL	LENGTH (mm)	NUMBER OF CIRCUITS		
		10A	Signal / 5A	Rings			10A	Signal / 5A	Rings
RX-HS080A-QS1-00002S	45.6	-	2	2	RX-HS080A-QS1-00036S	172	-	36	36
RX-HS080A-QS1-02000S	45.6	2	-	2	RX-HS080A-QS1-06030S	172	6	30	36
RX-HS080A-QS1-00003S	49.2	-	3	3	RX-HS080A-QS1-12024S	172	12	24	36
RX-HS080A-QS1-03000S	49.2	3	-	3	RX-HS080A-QS1-36000S	172	36	-	36
RX-HS080A-QS1-00006S	60	-	6	6	RX-HS080A-QS1-00042S	193.6	-	42	42
RX-HS080A-QS1-02004S	60	2	4	6	RX-HS080A-QS1-06036S	193.6	6	36	42
RX-HS080A-QS1-04002S	60	4	2	6	RX-HS080A-QS1-12030S	193.6	12	30	42
RX-HS080A-QS1-06000S	60	6	-	6	RX-HS080A-QS1-00048S	215.2	-	48	48
RX-HS080A-QS1-00012S	81.6	-	12	12	RX-HS080A-QS1-06042S	215.2	6	42	48
RX-HS080A-QS1-02010S	81.6	2	10	12	RX-HS080A-QS1-09039S	215.2	9	39	48
RX-HS080A-QS1-03009S	81.6	3	9	12	RX-HS080A-QS1-12036S	215.2	12	36	48
RX-HS080A-QS1-06006S	81.6	6	6	12	RX-HS080A-QS1-18030S	215.2	18	30	48
RX-HS080A-QS1-08004S	81.6	8	4	12	RX-HS080A-QS1-24024S	215.2	24	24	48
RX-HS080A-QS1-10002S	81.6	10	2	12	RX-HS080A-QS1-00060S	258.4	-	60	60
RX-HS080A-QS1-12000S	81.6	12	-	12	RX-HS080A-QS1-06054S	258.4	6	54	60
RX-HS080A-QS1-00018S	103.2	-	18	18	RX-HS080A-QS1-09051S	258.4	9	51	60
RX-HS080A-QS1-02016S	103.2	2	16	18	RX-HS080A-QS1-12048S	258.4	12	48	60
RX-HS080A-QS1-04014S	103.2	4	14	18	RX-HS080A-QS1-00072S	305.6	-	72	72
RX-HS080A-QS1-06012S	103.2	6	12	18	RX-HS080A-QS1-06066S	305.6	6	66	72
RX-HS080A-QS1-08010S	103.2	8	10	18	RX-HS080A-QS1-12060S	305.6	12	60	72
RX-HS080A-QS1-10008S	103.2	10	8	18	RX-HS080A-QS1-24048S	305.6	24	48	72
RX-HS080A-QS1-12006S	103.2	12	6	18	RX-HS080A-QS1-36036S	305.6	36	36	72
RX-HS080A-QS1-14004S	103.2	14	4	18	RX-HS080A-QS1-00084S	348.8	-	84	84
RX-HS080A-QS1-16002S	103.2	16	2	18	RX-HS080A-QS1-12072S	348.8	12	72	84
RX-HS080A-QS1-00024S	124.8	-	24	24	RX-HS080A-QS1-24060S	348.8	24	60	84
RX-HS080A-QS1-04020S	124.8	4	20	24	RX-HS080A-QS1-36048S	348.8	36	48	84
RX-HS080A-QS1-06018S	124.8	6	18	24	RX-HS080A-QS1-00096S	392	-	96	96
RX-HS080A-QS1-12012S	124.8	12	12	24	RX-HS080A-QS1-12084S	392	12	84	96
RX-HS080A-QS1-18006S	124.8	18	6	24	RX-HS080A-QS1-24072S	392	24	72	96
RX-HS080A-QS1-24000S	124.8	24	-	24	RX-HS080A-QS1-36060S	392	36	60	96
RX-HS080A-QS1-00030S	146.4	-	30	30	RX-HS080A-QS1-42054S	392	42	54	96
RX-HS080A-QS1-06024S	146.4	6	24	30	RX-HS080A-QS1-00108S	439.2	-	108	108
RX-HS080A-QS1-12018S	146.4	12	18	30	RX-HS080A-QS1-12096S	439.2	12	96	108
RX-HS080A-QS1-18012S	146.4	18	12	30	RX-HS080A-QS1-24084S	439.2	24	84	108
RX-HS080A-QS1-24006S	146.4	24	6	30	RX-HS080A-QS1-36072S	439.2	36	72	108
RX-HS080A-QS1-30000S	146.4	30	-	30	RX-HS080A-QS1-48060S	439.2	48	60	108

RX-HS090A

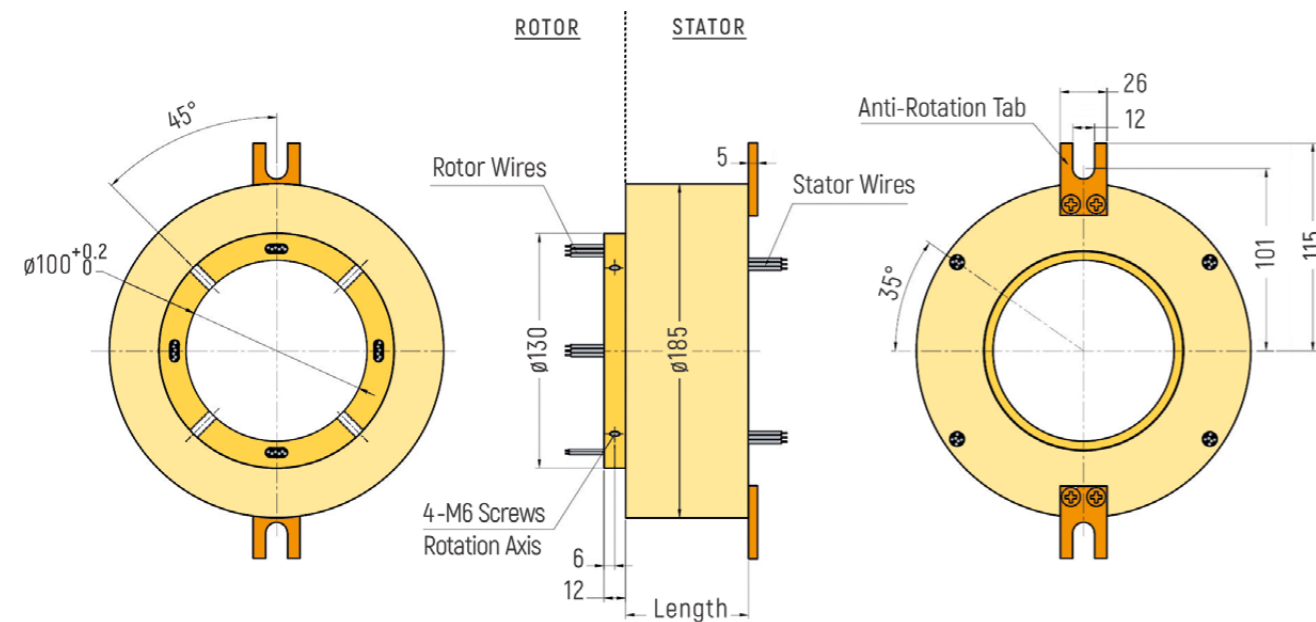
Inner Diameter 90mm



MODEL	LENGTH (mm)	NUMBER OF CIRCUITS			MODEL	LENGTH (mm)	NUMBER OF CIRCUITS		
		10A	Signal / 5A	Rings			10A	Signal / 5A	Rings
RX-HS090A-QS1-00002S	50	-	2	2	RX-HS090A-QS1-00036S	191	-	36	36
RX-HS090A-QS1-02000S	50	2	-	2	RX-HS090A-QS1-06030S	191	6	30	36
RX-HS090A-QS1-00003S	50	-	3	3	RX-HS090A-QS1-12024S	191	12	24	36
RX-HS090A-QS1-03000S	54	3	-	3	RX-HS090A-QS1-36000S	191	36	-	36
RX-HS090A-QS1-00006S	54	-	6	6	RX-HS090A-QS1-00042S	215	-	42	42
RX-HS090A-QS1-02004S	66	2	4	6	RX-HS090A-QS1-06036S	215	6	36	42
RX-HS090A-QS1-04002S	66	4	2	6	RX-HS090A-QS1-12030S	215	12	30	42
RX-HS090A-QS1-06000S	66	6	-	6	RX-HS090A-QS1-00048S	239	-	48	48
RX-HS090A-QS1-00012S	90	-	12	12	RX-HS090A-QS1-06042S	239	6	42	48
RX-HS090A-QS1-02010S	90	2	10	12	RX-HS090A-QS1-09039S	239	9	39	48
RX-HS090A-QS1-03009S	90	3	9	12	RX-HS090A-QS1-12036S	239	12	36	48
RX-HS090A-QS1-06006S	90	6	6	12	RX-HS090A-QS1-18030S	239	18	30	48
RX-HS090A-QS1-08004S	90	8	4	12	RX-HS090A-QS1-24024S	239	24	24	48
RX-HS090A-QS1-10002S	90	10	2	12	RX-HS090A-QS1-00060S	287	-	60	60
RX-HS090A-QS1-12000S	90	12	-	12	RX-HS090A-QS1-06054S	287	6	54	60
RX-HS090A-QS1-00018S	114	-	18	18	RX-HS090A-QS1-09051S	287	9	51	60
RX-HS090A-QS1-02016S	114	2	16	18	RX-HS090A-QS1-12048S	287	12	48	60
RX-HS090A-QS1-04014S	114	4	14	18	RX-HS090A-QS1-00072S	340	-	72	72
RX-HS090A-QS1-06012S	114	6	12	18	RX-HS090A-QS1-06066S	340	6	66	72
RX-HS090A-QS1-08010S	114	8	10	18	RX-HS090A-QS1-12060S	340	12	60	72
RX-HS090A-QS1-10008S	114	10	8	18	RX-HS090A-QS1-24048S	340	24	48	72
RX-HS090A-QS1-12006S	114	12	6	18	RX-HS090A-QS1-36036S	340	36	36	72
RX-HS090A-QS1-14004S	114	14	4	18	RX-HS090A-QS1-00084S	388	-	84	84
RX-HS090A-QS1-16002S	114	16	2	18	RX-HS090A-QS1-12072S	388	12	72	84
RX-HS090A-QS1-00024S	138	-	24	24	RX-HS090A-QS1-24060S	388	24	60	84
RX-HS090A-QS1-04020S	138	4	20	24	RX-HS090A-QS1-36048S	388	36	48	84
RX-HS090A-QS1-06018S	138	6	18	24	RX-HS090A-QS1-00096S	436	-	96	96
RX-HS090A-QS1-12012S	138	12	12	24	RX-HS090A-QS1-12084S	436	12	84	96
RX-HS090A-QS1-18006S	138	18	6	24	RX-HS090A-QS1-24072S	436	24	72	96
RX-HS090A-QS1-24000S	138	24	-	24	RX-HS090A-QS1-36060S	436	36	60	96
RX-HS090A-QS1-00030S	162	-	30	30	RX-HS090A-QS1-42054S	436	42	54	96
RX-HS090A-QS1-06024S	162	6	24	30	RX-HS090A-QS1-00108S	489	-	108	108
RX-HS090A-QS1-12018S	162	12	18	30	RX-HS090A-QS1-12096S	489	12	96	108
RX-HS090A-QS1-18012S	162	18	12	30	RX-HS090A-QS1-24084S	489	24	84	108
RX-HS090A-QS1-24006S	162	24	6	30	RX-HS090A-QS1-36072S	489	36	72	108
RX-HS090A-QS1-30000S	162	30	-	30	RX-HS090A-QS1-48060S	489	48	60	108

RX-HS100A

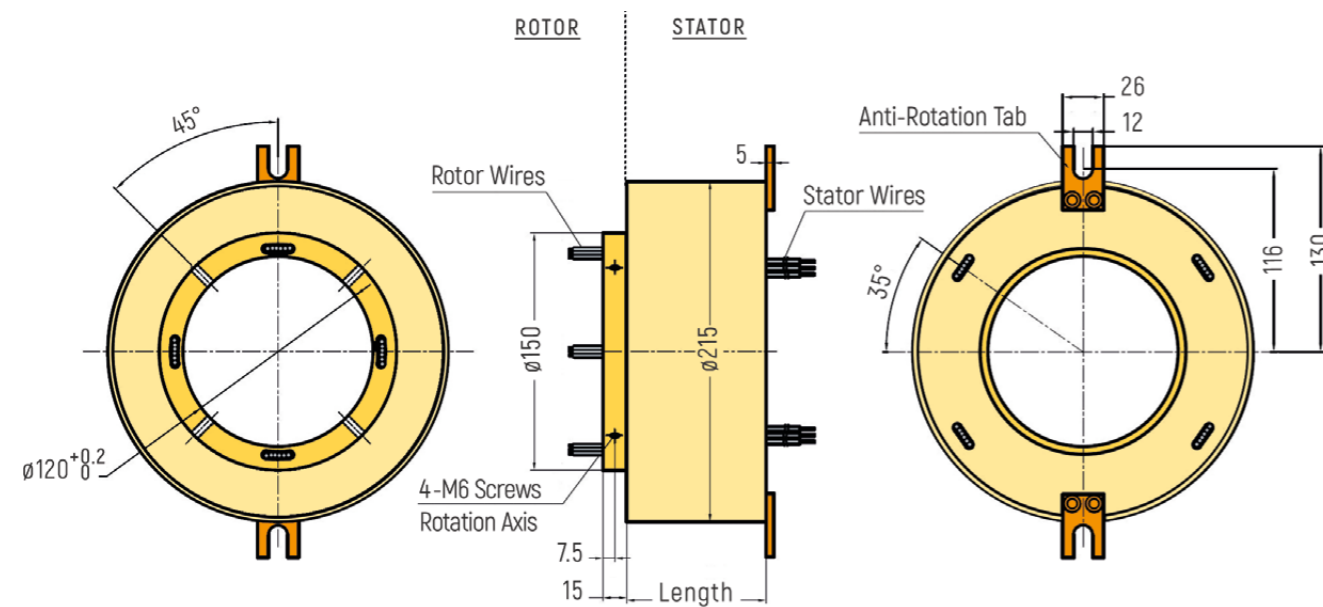
Inner Diameter 100mm



MODEL	LENGTH (mm)	NUMBER OF CIRCUITS			MODEL	LENGTH (mm)	NUMBER OF CIRCUITS		
		10A	Signal / 5A	Rings			10A	Signal / 5A	Rings
RX-HS100A-QS1-00002S	50	-	2	2	RX-HS100A-QS1-00036S	191	-	36	36
RX-HS100A-QS1-02000S	50	2	-	2	RX-HS100A-QS1-06030S	191	6	30	36
RX-HS100A-QS1-00003S	54	-	3	3	RX-HS100A-QS1-12024S	191	12	24	36
RX-HS100A-QS1-03000S	54	3	-	3	RX-HS100A-QS1-36000S	191	36	-	36
RX-HS100A-QS1-00006S	66	-	6	6	RX-HS100A-QS1-00042S	215	-	42	42
RX-HS100A-QS1-02004S	66	2	4	6	RX-HS100A-QS1-06036S	215	6	36	42
RX-HS100A-QS1-04002S	66	4	2	6	RX-HS100A-QS1-12030S	215	12	30	42
RX-HS100A-QS1-06000S	66	6	-	6	RX-HS100A-QS1-00048S	239	-	48	48
RX-HS100A-QS1-00012S	90	-	12	12	RX-HS100A-QS1-06042S	239	6	42	48
RX-HS100A-QS1-02010S	90	2	10	12	RX-HS100A-QS1-09039S	239	9	39	48
RX-HS100A-QS1-03009S	90	3	9	12	RX-HS100A-QS1-12036S	239	12	36	48
RX-HS100A-QS1-06006S	90	6	6	12	RX-HS100A-QS1-18030S	239	18	30	48
RX-HS100A-QS1-08004S	90	8	4	12	RX-HS100A-QS1-24024S	239	24	24	48
RX-HS100A-QS1-10002S	90	10	2	12	RX-HS100A-QS1-00060S	287	-	60	60
RX-HS100A-QS1-12000S	90	12	-	12	RX-HS100A-QS1-06054S	287	6	54	60
RX-HS100A-QS1-00018S	114	-	18	18	RX-HS100A-QS1-09051S	287	9	51	60
RX-HS100A-QS1-02016S	114	2	16	18	RX-HS100A-QS1-12048S	287	12	48	60
RX-HS100A-QS1-04014S	114	4	14	18	RX-HS100A-QS1-00072S	340	-	72	72
RX-HS100A-QS1-06012S	114	6	12	18	RX-HS100A-QS1-06066S	340	6	66	72
RX-HS100A-QS1-08010S	114	8	10	18	RX-HS100A-QS1-12060S	340	12	60	72
RX-HS100A-QS1-10008S	114	10	8	18	RX-HS100A-QS1-24048S	340	24	48	72
RX-HS100A-QS1-12006S	114	12	6	18	RX-HS100A-QS1-36036S	340	36	36	72
RX-HS100A-QS1-14004S	114	14	4	18	RX-HS100A-QS1-00084S	388	-	84	84
RX-HS100A-QS1-16002S	114	16	2	18	RX-HS100A-QS1-12072S	388	12	72	84
RX-HS100A-QS1-00024S	138	-	24	24	RX-HS100A-QS1-24060S	388	24	60	84
RX-HS100A-QS1-04020S	138	4	20	24	RX-HS100A-QS1-36048S	388	36	48	84
RX-HS100A-QS1-06018S	138	6	18	24	RX-HS100A-QS1-00096S	436	-	96	96
RX-HS100A-QS1-12012S	138	12	12	24	RX-HS100A-QS1-12084S	436	12	84	96
RX-HS100A-QS1-18006S	138	18	6	24	RX-HS100A-QS1-24072S	436	24	72	96
RX-HS100A-QS1-24000S	138	24	-	24	RX-HS100A-QS1-36060S	436	36	60	96
RX-HS100A-QS1-00030S	162	-	30	30	RX-HS100A-QS1-42054S	436	42	54	96
RX-HS100A-QS1-06024S	162	6	24	30	RX-HS100A-QS1-00108S	489	-	108	108
RX-HS100A-QS1-12018S	162	12	18	30	RX-HS100A-QS1-12096S	489	12	96	108
RX-HS100A-QS1-18012S	162	18	12	30	RX-HS100A-QS1-24084S	489	24	84	108
RX-HS100A-QS1-24006S	162	24	6	30	RX-HS100A-QS1-36072S	489	36	72	108
RX-HS100A-QS1-30000S	162	30	-	30	RX-HS100A-QS1-48060S	489	48	60	108

RX-HS120A

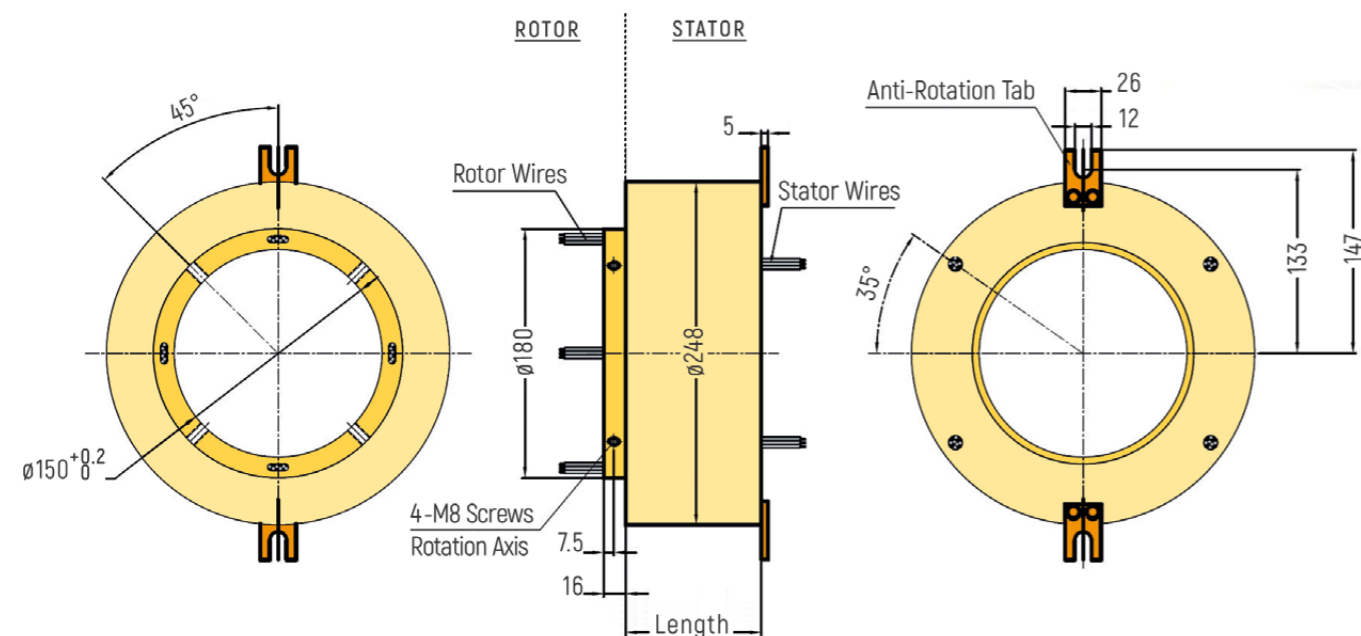
Inner Diameter 120mm



MODEL	LENGTH (mm)	NUMBER OF CIRCUITS			MODEL	LENGTH (mm)	NUMBER OF CIRCUITS		
		10A	Signal / 5A	Rings			10A	Signal / 5A	Rings
RX-HS120A-QS1-00002S	68	-	2	2	RX-HS120A-QS1-00036S	243	-	36	36
RX-HS120A-QS1-02000S	68	2	-	2	RX-HS120A-QS1-06030S	243	6	30	36
RX-HS120A-QS1-00003S	73	-	3	3	RX-HS120A-QS1-12024S	243	12	24	36
RX-HS120A-QS1-03000S	73	3	-	3	RX-HS120A-QS1-36000S	243	36	-	36
RX-HS120A-QS1-00006S	88	-	6	6	RX-HS120A-QS1-00042S	273	-	42	42
RX-HS120A-QS1-02004S	88	2	4	6	RX-HS120A-QS1-06036S	273	6	36	42
RX-HS120A-QS1-04002S	88	4	2	6	RX-HS120A-QS1-12030S	273	12	30	42
RX-HS120A-QS1-06000S	88	6	-	6	RX-HS120A-QS1-00048S	303	-	48	48
RX-HS120A-QS1-00012S	118	-	12	12	RX-HS120A-QS1-06042S	303	6	42	48
RX-HS120A-QS1-02010S	118	2	10	12	RX-HS120A-QS1-09039S	303	9	39	48
RX-HS120A-QS1-03009S	118	3	9	12	RX-HS120A-QS1-12036S	303	12	36	48
RX-HS120A-QS1-06006S	118	6	6	12	RX-HS120A-QS1-18030S	303	18	30	48
RX-HS120A-QS1-08004S	118	8	4	12	RX-HS120A-QS1-24024S	303	24	24	48
RX-HS120A-QS1-10002S	118	10	2	12	RX-HS120A-QS1-00060S	363	-	60	60
RX-HS120A-QS1-12000S	118	12	-	12	RX-HS120A-QS1-06054S	363	6	54	60
RX-HS120A-QS1-00018S	148	-	18	18	RX-HS120A-QS1-09051S	363	9	51	60
RX-HS120A-QS1-02016S	148	2	16	18	RX-HS120A-QS1-12048S	363	12	48	60
RX-HS120A-QS1-04014S	148	4	14	18	RX-HS120A-QS1-00072S	428	-	72	72
RX-HS120A-QS1-06012S	148	6	12	18	RX-HS120A-QS1-06066S	428	6	66	72
RX-HS120A-QS1-08010S	148	8	10	18	RX-HS120A-QS1-12060S	428	12	60	72
RX-HS120A-QS1-10008S	148	10	8	18	RX-HS120A-QS1-24048S	428	24	48	72
RX-HS120A-QS1-12006S	148	12	6	18	RX-HS120A-QS1-36036S	428	36	36	72
RX-HS120A-QS1-14004S	148	14	4	18	RX-HS120A-QS1-00084S	488	-	84	84
RX-HS120A-QS1-16002S	148	16	2	18	RX-HS120A-QS1-12072S	488	12	72	84
RX-HS120A-QS1-00024S	178	-	24	24	RX-HS120A-QS1-24060S	488	24	60	84
RX-HS120A-QS1-04020S	178	4	20	24	RX-HS120A-QS1-36048S	488	36	48	84
RX-HS120A-QS1-06018S	178	6	18	24	RX-HS120A-QS1-00096S	548	-	96	96
RX-HS120A-QS1-12012S	178	12	12	24	RX-HS120A-QS1-12084S	548	12	84	96
RX-HS120A-QS1-18006S	178	18	6	24	RX-HS120A-QS1-24072S	548	24	72	96
RX-HS120A-QS1-24000S	178	24	-	24	RX-HS120A-QS1-36060S	548	36	60	96
RX-HS120A-QS1-00030S	208	-	30	30	RX-HS120A-QS1-42054S	548	42	54	96
RX-HS120A-QS1-06024S	208	6	24	30	RX-HS120A-QS1-00108S	613	-	108	108
RX-HS120A-QS1-12018S	208	12	18	30	RX-HS120A-QS1-12096S	613	12	96	108
RX-HS120A-QS1-18012S	208	18	12	30	RX-HS120A-QS1-24084S	613	24	84	108
RX-HS120A-QS1-24006S	208	24	6	30	RX-HS120A-QS1-36072S	613	36	72	108
RX-HS120A-QS1-30000S	208	30	-	30	RX-HS120A-QS1-48060S	613	48	60	108

RX-HS150A

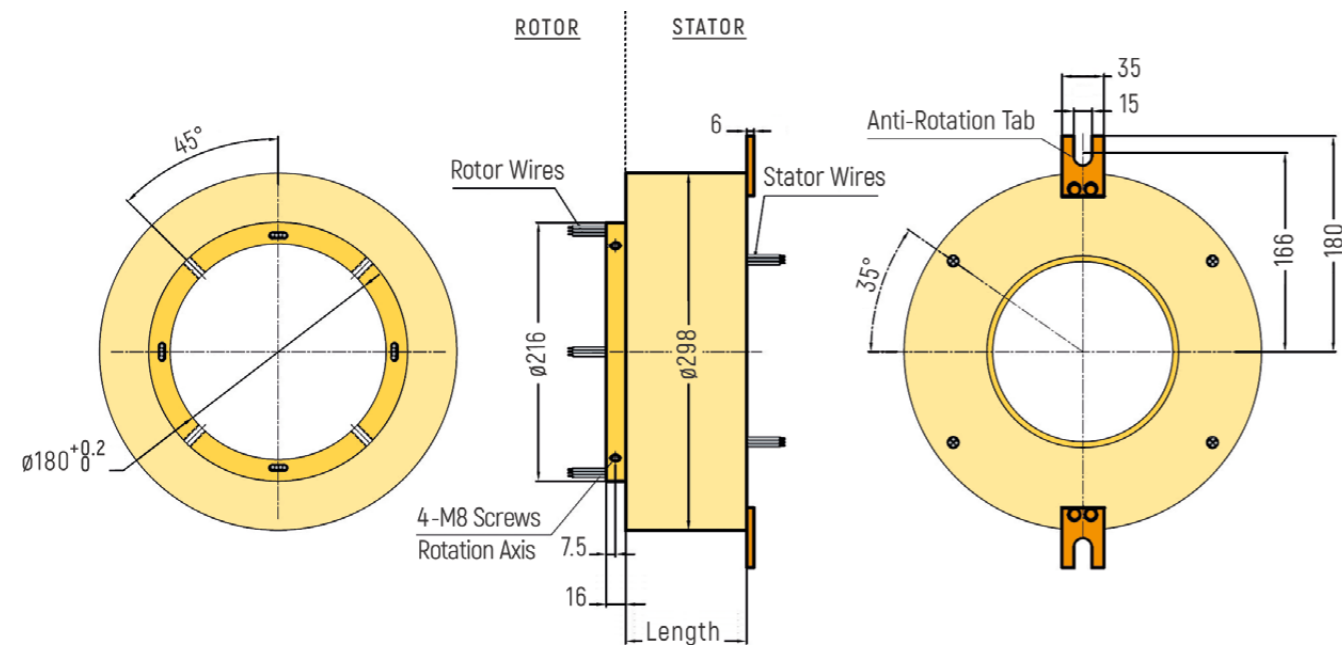
Inner Diameter 150mm



MODEL	LENGTH (mm)	NUMBER OF CIRCUITS			MODEL	LENGTH (mm)	NUMBER OF CIRCUITS		
		10A	Signal / 5A	Rings			10A	Signal / 5A	Rings
RX-HS150A-QS1-00002S	74	-	2	2	RX-HS150A-QS1-00036S	284	-	36	36
RX-HS150A-QS1-02000S	74	2	-	2	RX-HS150A-QS1-06030S	284	6	30	36
RX-HS150A-QS1-00003S	80	-	3	3	RX-HS150A-QS1-12024S	284	12	24	36
RX-HS150A-QS1-03000S	80	3	-	3	RX-HS150A-QS1-36000S	284	36	-	36
RX-HS150A-QS1-00006S	98	-	6	6	RX-HS150A-QS1-00042S	320	-	42	42
RX-HS150A-QS1-02004S	98	2	4	6	RX-HS150A-QS1-06036S	320	6	36	42
RX-HS150A-QS1-04002S	98	4	2	6	RX-HS150A-QS1-12030S	320	12	30	42
RX-HS150A-QS1-06000S	98	6	-	6	RX-HS150A-QS1-00048S	356	-	48	48
RX-HS150A-QS1-00012S	134	-	12	12	RX-HS150A-QS1-06042S	356	6	42	48
RX-HS150A-QS1-02010S	134	2	10	12	RX-HS150A-QS1-09039S	356	9	39	48
RX-HS150A-QS1-03009S	134	3	9	12	RX-HS150A-QS1-12036S	356	12	36	48
RX-HS150A-QS1-06006S	134	6	6	12	RX-HS150A-QS1-18030S	356	18	30	48
RX-HS150A-QS1-08004S	134	8	4	12	RX-HS150A-QS1-24024S	356	24	24	48
RX-HS150A-QS1-10002S	134	10	2	12	RX-HS150A-QS1-00060S	428	-	60	60
RX-HS150A-QS1-12000S	134	12	-	12	RX-HS150A-QS1-06054S	428	6	54	60
RX-HS150A-QS1-00018S	170	-	18	18	RX-HS150A-QS1-09051S	428	9	51	60
RX-HS150A-QS1-02016S	170	2	16	18	RX-HS150A-QS1-12048S	428	12	48	60
RX-HS150A-QS1-04014S	170	4	14	18	RX-HS150A-QS1-00072S	506	-	72	72
RX-HS150A-QS1-06012S	170	6	12	18	RX-HS150A-QS1-06066S	506	6	66	72
RX-HS150A-QS1-08010S	170	8	10	18	RX-HS150A-QS1-12060S	506	12	60	72
RX-HS150A-QS1-10008S	170	10	8	18	RX-HS150A-QS1-24048S	506	24	48	72
RX-HS150A-QS1-12006S	170	12	6	18	RX-HS150A-QS1-36036S	506	36	36	72
RX-HS150A-QS1-14004S	170	14	4	18	RX-HS150A-QS1-00084S	578	-	84	84
RX-HS150A-QS1-16002S	170	16	2	18	RX-HS150A-QS1-12072S	578	12	72	84
RX-HS150A-QS1-00024S	206	-	24	24	RX-HS150A-QS1-24060S	578	24	60	84
RX-HS150A-QS1-04020S	206	4	20	24	RX-HS150A-QS1-36048S	578	36	48	84
RX-HS150A-QS1-06018S	206	6	18	24	RX-HS150A-QS1-00096S	650	-	96	96
RX-HS150A-QS1-12012S	206	12	12	24	RX-HS150A-QS1-12084S	650	12	84	96
RX-HS150A-QS1-18006S	206	18	6	24	RX-HS150A-QS1-24072S	650	24	72	96
RX-HS150A-QS1-24000S	206	24	-	24	RX-HS150A-QS1-36060S	650	36	60	96
RX-HS150A-QS1-00030S	242	-	30	30	RX-HS150A-QS1-42054S	650	42	54	96
RX-HS150A-QS1-06024S	242	6	24	30	RX-HS150A-QS1-00108S	728	-	108	108
RX-HS150A-QS1-12018S	242	12	18	30	RX-HS150A-QS1-12096S	728	12	96	108
RX-HS150A-QS1-18012S	242	18	12	30	RX-HS150A-QS1-24084S	728	24	84	108
RX-HS150A-QS1-24006S	242	24	6	30	RX-HS150A-QS1-36072S	728	36	72	108
RX-HS150A-QS1-30000S	242	30	-	30	RX-HS150A-QS1-48060S	728	48	60	108

RX-HS180A

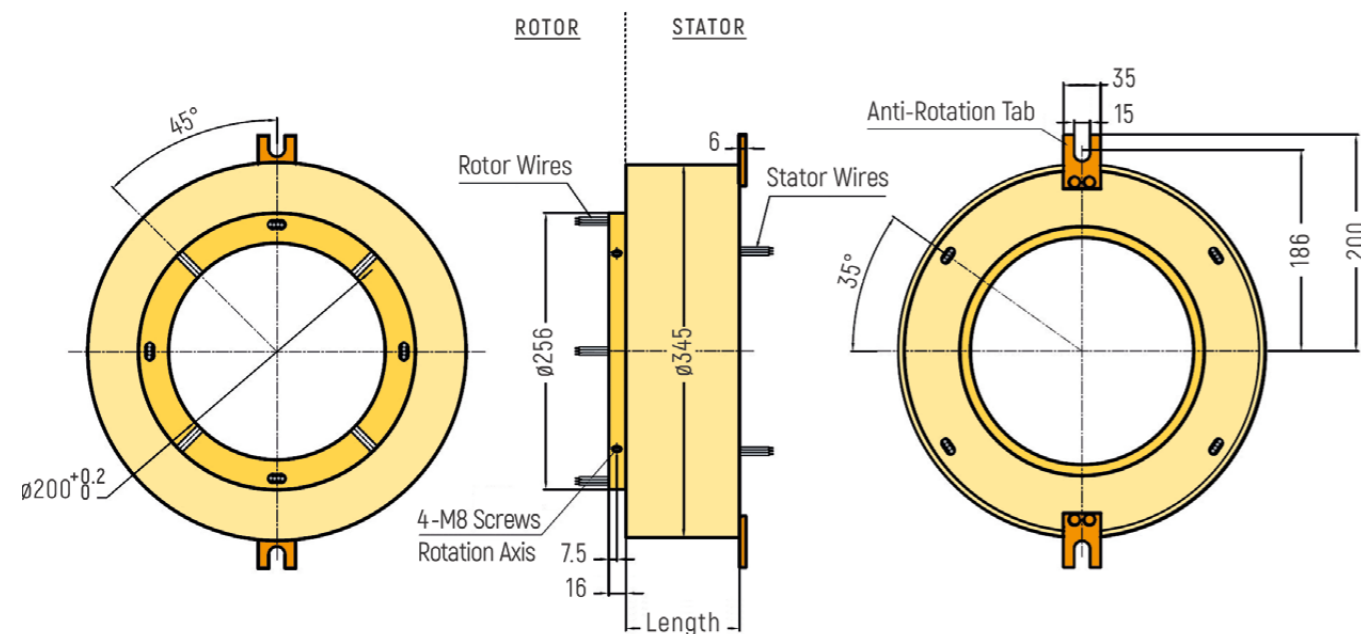
Inner Diameter 180mm



MODEL	LENGTH (mm)	NUMBER OF CIRCUITS			MODEL	LENGTH (mm)	NUMBER OF CIRCUITS		
		10A	Signal / 5A	Rings			10A	Signal / 5A	Rings
RX-HS180A-QS1-00002S	77	-	2	2	RX-HS180A-QS1-00036S	287	-	36	36
RX-HS180A-QS1-02000S	77	2	-	2	RX-HS180A-QS1-06030S	287	6	30	36
RX-HS180A-QS1-00003S	83	-	3	3	RX-HS180A-QS1-12024S	287	12	24	36
RX-HS180A-QS1-03000S	83	3	-	3	RX-HS180A-QS1-36000S	287	36	-	36
RX-HS180A-QS1-00006S	101	-	6	6	RX-HS180A-QS1-00042S	323	-	42	42
RX-HS180A-QS1-02004S	101	2	4	6	RX-HS180A-QS1-06036S	323	6	36	42
RX-HS180A-QS1-04002S	101	4	2	6	RX-HS180A-QS1-12030S	323	12	30	42
RX-HS180A-QS1-06000S	101	6	-	6	RX-HS180A-QS1-00048S	359	-	48	48
RX-HS180A-QS1-00012S	137	-	12	12	RX-HS180A-QS1-06042S	359	6	42	48
RX-HS180A-QS1-02010S	137	2	10	12	RX-HS180A-QS1-09039S	359	9	39	48
RX-HS180A-QS1-03009S	137	3	9	12	RX-HS180A-QS1-12036S	359	12	36	48
RX-HS180A-QS1-06006S	137	6	6	12	RX-HS180A-QS1-18030S	359	18	30	48
RX-HS180A-QS1-08004S	137	8	4	12	RX-HS180A-QS1-24024S	359	24	24	48
RX-HS180A-QS1-10002S	137	10	2	12	RX-HS180A-QS1-00060S	431	-	60	60
RX-HS180A-QS1-12000S	137	12	-	12	RX-HS180A-QS1-06054S	431	6	54	60
RX-HS180A-QS1-00018S	173	-	18	18	RX-HS180A-QS1-09051S	431	9	51	60
RX-HS180A-QS1-02016S	173	2	16	18	RX-HS180A-QS1-12048S	431	12	48	60
RX-HS180A-QS1-04014S	173	4	14	18	RX-HS180A-QS1-00072S	509	-	72	72
RX-HS180A-QS1-06012S	173	6	12	18	RX-HS180A-QS1-06066S	509	6	66	72
RX-HS180A-QS1-08010S	173	8	10	18	RX-HS180A-QS1-12060S	509	12	60	72
RX-HS180A-QS1-10008S	173	10	8	18	RX-HS180A-QS1-24048S	509	24	48	72
RX-HS180A-QS1-12006S	173	12	6	18	RX-HS180A-QS1-36036S	509	36	36	72
RX-HS180A-QS1-14004S	173	14	4	18	RX-HS180A-QS1-00084S	581	-	84	84
RX-HS180A-QS1-16002S	173	16	2	18	RX-HS180A-QS1-12072S	581	12	72	84
RX-HS180A-QS1-00024S	209	-	24	24	RX-HS180A-QS1-24060S	581	24	60	84
RX-HS180A-QS1-04020S	209	4	20	24	RX-HS180A-QS1-36048S	581	36	48	84
RX-HS180A-QS1-06018S	209	6	18	24	RX-HS180A-QS1-00096S	653	-	96	96
RX-HS180A-QS1-12012S	209	12	12	24	RX-HS180A-QS1-12084S	653	12	84	96
RX-HS180A-QS1-18006S	209	18	6	24	RX-HS180A-QS1-24072S	653	24	72	96
RX-HS180A-QS1-24000S	209	24	-	24	RX-HS180A-QS1-36060S	653	36	60	96
RX-HS180A-QS1-00030S	245	-	30	30	RX-HS180A-QS1-42054S	653	42	54	96
RX-HS180A-QS1-06024S	245	6	24	30	RX-HS180A-QS1-00108S	731	-	108	108
RX-HS180A-QS1-12018S	245	12	18	30	RX-HS180A-QS1-12096S	731	12	96	108
RX-HS180A-QS1-18012S	245	18	12	30	RX-HS180A-QS1-24084S	731	24	84	108
RX-HS180A-QS1-24006S	245	24	6	30	RX-HS180A-QS1-36072S	731	36	72	108
RX-HS180A-QS1-30000S	245	30	-	30	RX-HS180A-QS1-48060S	731	48	60	108

RX-HS200A

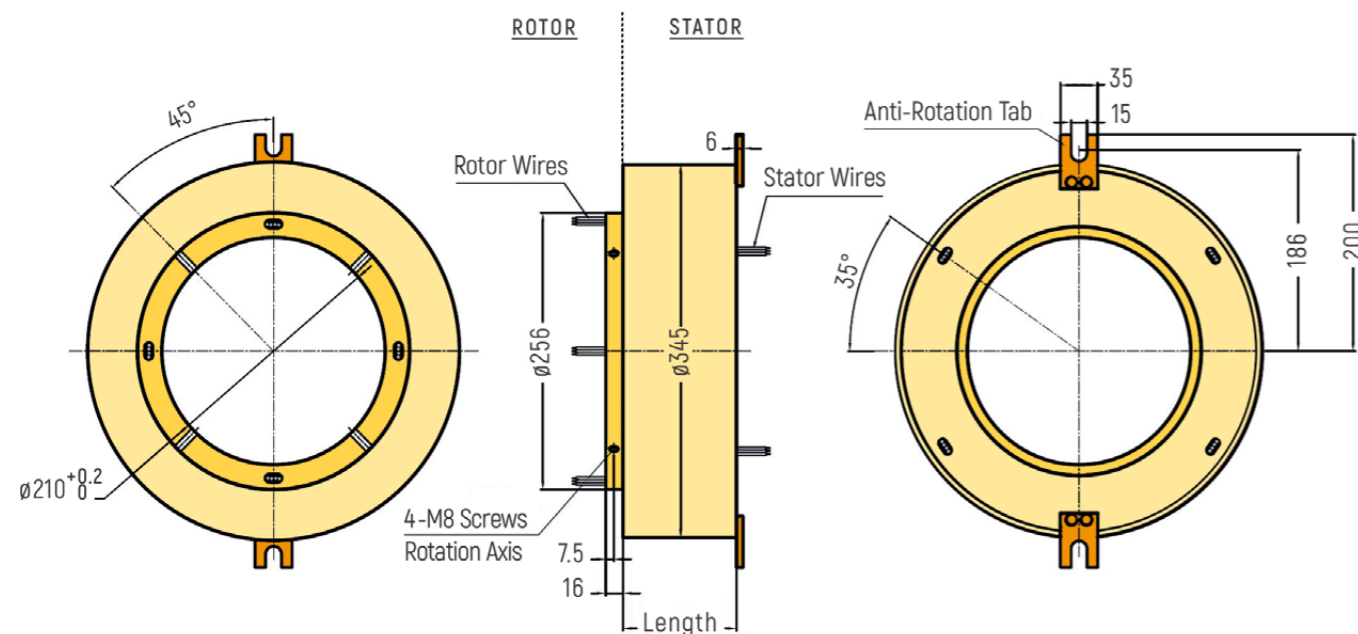
Inner Diameter 200mm



MODEL	LENGTH (mm)	NUMBER OF CIRCUITS			MODEL	LENGTH (mm)	NUMBER OF CIRCUITS		
		10A	Signal / 5A	Rings			10A	Signal / 5A	Rings
RX-HS200A-QS1-00002S	83	-	2	2	RX-HS200A-QS1-00036S	293	-	36	36
RX-HS200A-QS1-02000S	83	2	-	2	RX-HS200A-QS1-06030S	293	6	30	36
RX-HS200A-QS1-00003S	89	-	3	3	RX-HS200A-QS1-12024S	293	12	24	36
RX-HS200A-QS1-03000S	89	3	-	3	RX-HS200A-QS1-36000S	293	36	-	36
RX-HS200A-QS1-00006S	107	-	6	6	RX-HS200A-QS1-00042S	329	-	42	42
RX-HS200A-QS1-02004S	107	2	4	6	RX-HS200A-QS1-06036S	329	6	36	42
RX-HS200A-QS1-04002S	107	4	2	6	RX-HS200A-QS1-12030S	329	12	30	42
RX-HS200A-QS1-06000S	107	6	-	6	RX-HS200A-QS1-00048S	365	-	48	48
RX-HS200A-QS1-00012S	143	-	12	12	RX-HS200A-QS1-06042S	365	6	42	48
RX-HS200A-QS1-02010S	143	2	10	12	RX-HS200A-QS1-09039S	365	9	39	48
RX-HS200A-QS1-03009S	143	3	9	12	RX-HS200A-QS1-12036S	365	12	36	48
RX-HS200A-QS1-06006S	143	6	6	12	RX-HS200A-QS1-18030S	365	18	30	48
RX-HS200A-QS1-08004S	143	8	4	12	RX-HS200A-QS1-24024S	365	24	24	48
RX-HS200A-QS1-10002S	143	10	2	12	RX-HS200A-QS1-00060S	437	-	60	60
RX-HS200A-QS1-12000S	143	12	-	12	RX-HS200A-QS1-06054S	437	6	54	60
RX-HS200A-QS1-00018S	179	-	18	18	RX-HS200A-QS1-09051S	437	9	51	60
RX-HS200A-QS1-02016S	179	2	16	18	RX-HS200A-QS1-12048S	437	12	48	60
RX-HS200A-QS1-04014S	179	4	14	18	RX-HS200A-QS1-00072S	515	-	72	72
RX-HS200A-QS1-06012S	179	6	12	18	RX-HS200A-QS1-06066S	515	6	66	72
RX-HS200A-QS1-08010S	179	8	10	18	RX-HS200A-QS1-12060S	515	12	60	72
RX-HS200A-QS1-10008S	179	10	8	18	RX-HS200A-QS1-24048S	515	24	48	72
RX-HS200A-QS1-12006S	179	12	6	18	RX-HS200A-QS1-36036S	515	36	36	72
RX-HS200A-QS1-14004S	179	14	4	18	RX-HS200A-QS1-00084S	587	-	84	84
RX-HS200A-QS1-16002S	179	16	2	18	RX-HS200A-QS1-12072S	587	12	72	84
RX-HS200A-QS1-00024S	215	-	24	24	RX-HS200A-QS1-24060S	587	24	60	84
RX-HS200A-QS1-04020S	215	4	20	24	RX-HS200A-QS1-36048S	587	36	48	84
RX-HS200A-QS1-06018S	215	6	18	24	RX-HS200A-QS1-00096S	659	-	96	96
RX-HS200A-QS1-12012S	215	12	12	24	RX-HS200A-QS1-12084S	659	12	84	96
RX-HS200A-QS1-18006S	215	18	6	24	RX-HS200A-QS1-24072S	659	24	72	96
RX-HS200A-QS1-24000S	215	24	-	24	RX-HS200A-QS1-36060S	659	36	60	96
RX-HS200A-QS1-00030S	251	-	30	30	RX-HS200A-QS1-42054S	659	42	54	96
RX-HS200A-QS1-06024S	251	6	24	30	RX-HS200A-QS1-00108S	737	-	108	108
RX-HS200A-QS1-12018S	251	12	18	30	RX-HS200A-QS1-12096S	737	12	96	108
RX-HS200A-QS1-18012S	251	18	12	30	RX-HS200A-QS1-24084S	737	24	84	108
RX-HS200A-QS1-24006S	251	24	6	30	RX-HS200A-QS1-36072S	737	36	72	108
RX-HS200A-QS1-30000S	251	30	-	30	RX-HS200A-QS1-48060S	737	48	60	108

RX-HS210A

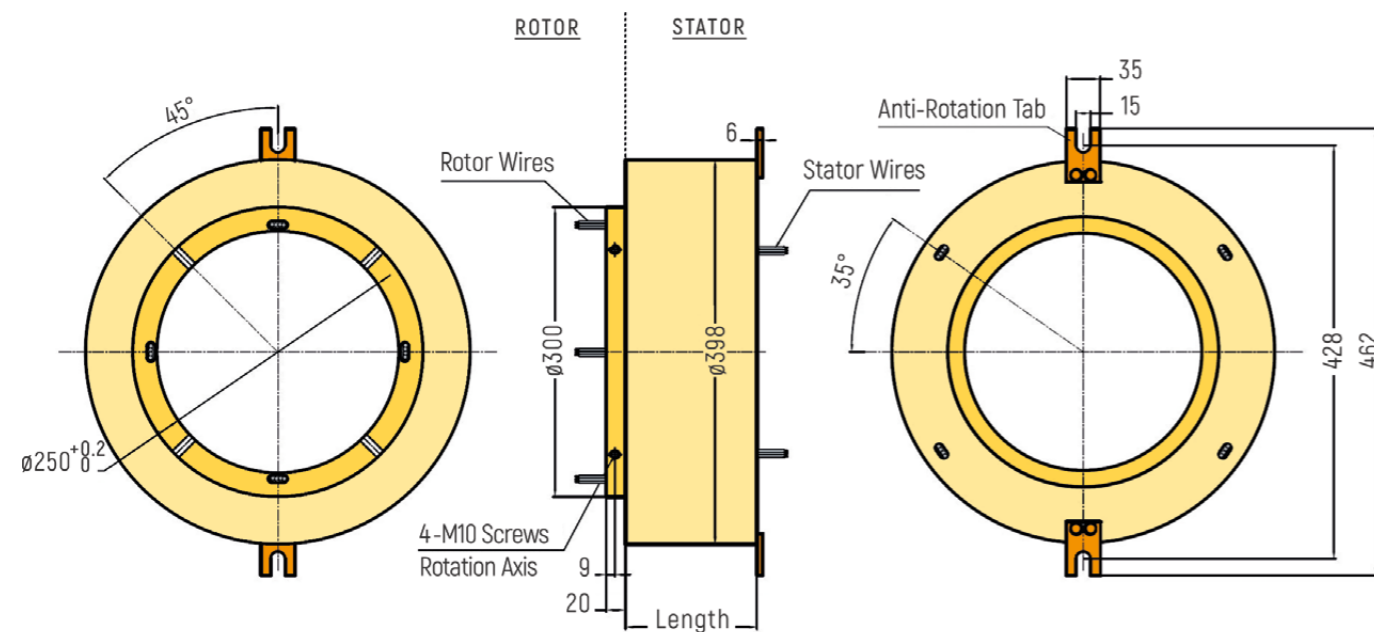
Inner Diameter 210mm



MODEL	LENGTH (mm)	NUMBER OF CIRCUITS			MODEL	LENGTH (mm)	NUMBER OF CIRCUITS		
		10A	Signal / 5A	Rings			10A	Signal / 5A	Rings
RX-HS210A-QS1-00002S	83	-	2	2	RX-HS210A-QS1-00036S	293	-	36	36
RX-HS210A-QS1-02000S	83	2	-	2	RX-HS210A-QS1-06030S	293	6	30	36
RX-HS210A-QS1-00003S	89	-	3	3	RX-HS210A-QS1-12024S	293	12	24	36
RX-HS210A-QS1-03000S	89	3	-	3	RX-HS210A-QS1-36000S	293	36	-	36
RX-HS210A-QS1-00006S	107	-	6	6	RX-HS210A-QS1-00042S	329	-	42	42
RX-HS210A-QS1-02004S	107	2	4	6	RX-HS210A-QS1-06036S	329	6	36	42
RX-HS210A-QS1-04002S	107	4	2	6	RX-HS210A-QS1-12030S	329	12	30	42
RX-HS210A-QS1-06000S	107	6	-	6	RX-HS210A-QS1-00048S	365	-	48	48
RX-HS210A-QS1-00012S	143	-	12	12	RX-HS210A-QS1-06042S	365	6	42	48
RX-HS210A-QS1-02010S	143	2	10	12	RX-HS210A-QS1-09039S	365	9	39	48
RX-HS210A-QS1-03009S	143	3	9	12	RX-HS210A-QS1-12036S	365	12	36	48
RX-HS210A-QS1-06006S	143	6	6	12	RX-HS210A-QS1-18030S	365	18	30	48
RX-HS210A-QS1-08004S	143	8	4	12	RX-HS210A-QS1-24024S	365	24	24	48
RX-HS210A-QS1-10002S	143	10	2	12	RX-HS210A-QS1-00060S	437	-	60	60
RX-HS210A-QS1-12000S	143	12	-	12	RX-HS210A-QS1-06054S	437	6	54	60
RX-HS210A-QS1-00018S	179	-	18	18	RX-HS210A-QS1-09051S	437	9	51	60
RX-HS210A-QS1-02016S	179	2	16	18	RX-HS210A-QS1-12048S	437	12	48	60
RX-HS210A-QS1-04014S	179	4	14	18	RX-HS210A-QS1-00072S	515	-	72	72
RX-HS210A-QS1-06012S	179	6	12	18	RX-HS210A-QS1-06066S	515	6	66	72
RX-HS210A-QS1-08010S	179	8	10	18	RX-HS210A-QS1-12060S	515	12	60	72
RX-HS210A-QS1-10008S	179	10	8	18	RX-HS210A-QS1-24048S	515	24	48	72
RX-HS210A-QS1-12006S	179	12	6	18	RX-HS210A-QS1-36036S	515	36	36	72
RX-HS210A-QS1-14004S	179	14	4	18	RX-HS210A-QS1-00084S	587	-	84	84
RX-HS210A-QS1-16002S	179	16	2	18	RX-HS210A-QS1-12072S	587	12	72	84
RX-HS210A-QS1-00024S	215	-	24	24	RX-HS210A-QS1-24060S	587	24	60	84
RX-HS210A-QS1-04020S	215	4	20	24	RX-HS210A-QS1-36048S	587	36	48	84
RX-HS210A-QS1-06018S	215	6	18	24	RX-HS210A-QS1-00096S	659	-	96	96
RX-HS210A-QS1-12012S	215	12	12	24	RX-HS210A-QS1-12084S	659	12	84	96
RX-HS210A-QS1-18006S	215	18	6	24	RX-HS210A-QS1-24072S	659	24	72	96
RX-HS210A-QS1-24000S	215	24	-	24	RX-HS210A-QS1-36060S	659	36	60	96
RX-HS210A-QS1-00030S	251	-	30	30	RX-HS210A-QS1-42054S	659	42	54	96
RX-HS210A-QS1-06024S	251	6	24	30	RX-HS210A-QS1-00108S	737	-	108	108
RX-HS210A-QS1-12018S	251	12	18	30	RX-HS210A-QS1-12096S	737	12	96	108
RX-HS210A-QS1-18012S	251	18	12	30	RX-HS210A-QS1-24084S	737	24	84	108
RX-HS210A-QS1-24006S	251	24	6	30	RX-HS210A-QS1-36072S	737	36	72	108
RX-HS210A-QS1-30000S	251	30	-	30	RX-HS210A-QS1-48060S	737	48	60	108

RX-HS250A

Inner Diameter 250mm

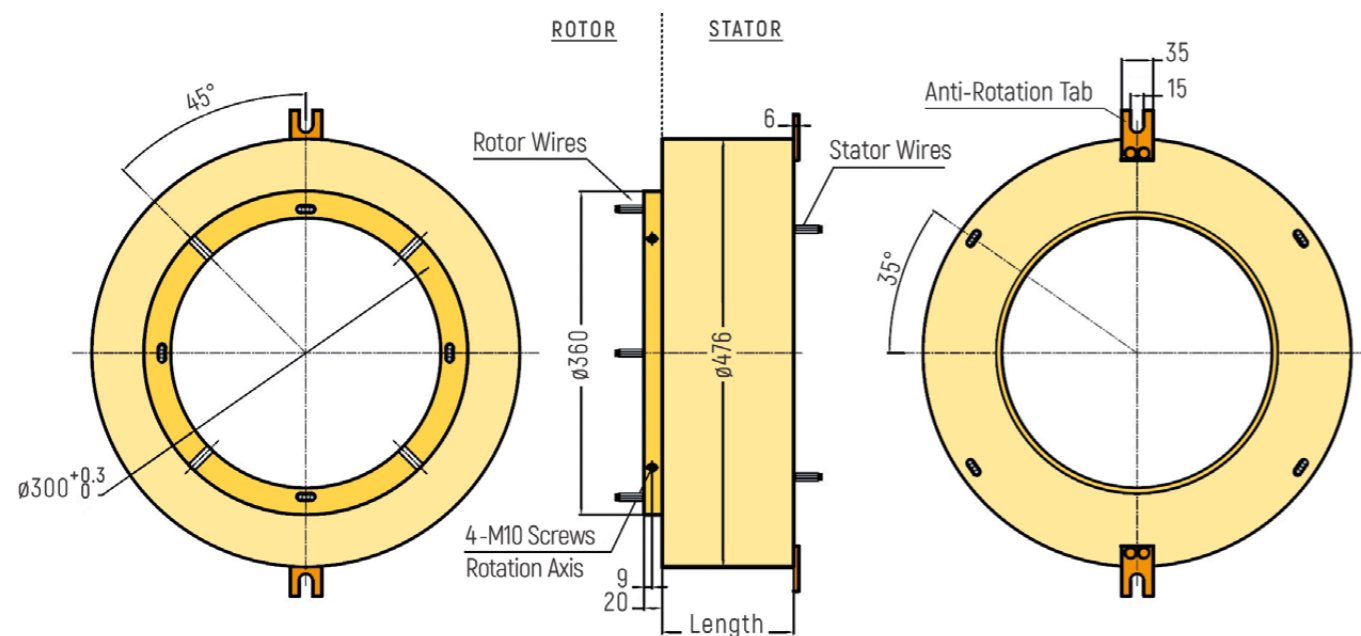


MODEL	LENGTH (mm)	NUMBER OF CIRCUITS		
		10A	Signal / 5A	Rings
RX-HS250A-QS1-00002S	104	-	2	2
RX-HS250A-QS1-02000S	104	2	-	2
RX-HS250A-QS1-00003S	112	-	3	3
RX-HS250A-QS1-03000S	112	3	-	3
RX-HS250A-QS1-00006S	136	-	6	6
RX-HS250A-QS1-02004S	136	2	4	6
RX-HS250A-QS1-04002S	136	4	2	6
RX-HS250A-QS1-06000S	136	6	-	6
RX-HS250A-QS1-00012S	184	-	12	12
RX-HS250A-QS1-02010S	184	2	10	12
RX-HS250A-QS1-03009S	184	3	9	12
RX-HS250A-QS1-06006S	184	6	6	12
RX-HS250A-QS1-08004S	184	8	4	12
RX-HS250A-QS1-10002S	184	10	2	12
RX-HS250A-QS1-12000S	184	12	-	12
RX-HS250A-QS1-00018S	232	-	18	18
RX-HS250A-QS1-02016S	232	2	16	18
RX-HS250A-QS1-04014S	232	4	14	18
RX-HS250A-QS1-06012S	232	6	12	18
RX-HS250A-QS1-08010S	232	8	10	18
RX-HS250A-QS1-10008S	232	10	8	18
RX-HS250A-QS1-12006S	232	12	6	18
RX-HS250A-QS1-14004S	232	14	4	18
RX-HS250A-QS1-16002S	232	16	2	18
RX-HS250A-QS1-00024S	280	-	24	24
RX-HS250A-QS1-04020S	280	4	20	24
RX-HS250A-QS1-06018S	280	6	18	24
RX-HS250A-QS1-12012S	280	12	12	24
RX-HS250A-QS1-18006S	280	18	6	24
RX-HS250A-QS1-24000S	280	24	-	24
RX-HS250A-QS1-00030S	328	-	30	30
RX-HS250A-QS1-06024S	328	6	24	30
RX-HS250A-QS1-12018S	328	12	18	30
RX-HS250A-QS1-18012S	328	18	12	30
RX-HS250A-QS1-24006S	328	24	6	30
RX-HS250A-QS1-30000S	328	30	-	30

MODEL	LENGTH (mm)	NUMBER OF CIRCUITS		
		10A	Signal / 5A	Rings
RX-HS250A-QS1-00036S	382	-	36	36
RX-HS250A-QS1-06030S	382	6	30	36
RX-HS250A-QS1-12024S	382	12	24	36
RX-HS250A-QS1-36000S	382	36	-	36
RX-HS250A-QS1-00042S	430	-	42	42
RX-HS250A-QS1-06036S	430	6	36	42
RX-HS250A-QS1-12030S	430	12	30	42
RX-HS250A-QS1-00048S	478	-	48	48
RX-HS250A-QS1-06042S	478	6	42	48
RX-HS250A-QS1-09039S	478	9	39	48
RX-HS250A-QS1-12036S	478	12	36	48
RX-HS250A-QS1-18030S	478	18	30	48
RX-HS250A-QS1-24024S	478	24	24	48
RX-HS250A-QS1-00060S	577	-	60	60
RX-HS250A-QS1-06054S	577	6	54	60
RX-HS250A-QS1-09051S	577	9	51	60
RX-HS250A-QS1-12048S	577	12	48	60
RX-HS250A-QS1-00072S	676	-	72	72
RX-HS250A-QS1-06066S	676	6	66	72
RX-HS250A-QS1-12060S	676	12	60	72
RX-HS250A-QS1-24048S	676	24	48	72
RX-HS250A-QS1-36036S	676	36	36	72
RX-HS250A-QS1-00084S	772	-	84	84
RX-HS250A-QS1-12072S	772	12	72	84
RX-HS250A-QS1-24060S	772	24	60	84
RX-HS250A-QS1-36048S	772	36	48	84
RX-HS250A-QS1-00096S	868	-	96	96
RX-HS250A-QS1-12084S	868	12	84	96
RX-HS250A-QS1-24072S	868	24	72	96
RX-HS250A-QS1-36060S	868	36	60	96
RX-HS250A-QS1-42054S	868	42	54	96
RX-HS250A-QS1-00108S	970	-	108	108
RX-HS250A-QS1-12096S	970	12	96	108
RX-HS250A-QS1-24084S	970	24	84	108
RX-HS250A-QS1-36072S	970	36	72	108
RX-HS250A-QS1-48060S	970	48	60	108

RX-HS300A

Inner Diameter 300mm



MODEL	LENGTH (mm)	NUMBER OF CIRCUITS			MODEL	LENGTH (mm)	NUMBER OF CIRCUITS		
		10A	Signal / 5A	Rings			10A	Signal / 5A	Rings
RX-HS300A-QS1-00002S	114	-	2	2	RX-HS300A-QS1-00036S	392	-	36	36
RX-HS300A-QS1-02000S	114	2	-	2	RX-HS300A-QS1-06030S	392	6	30	36
RX-HS300A-QS1-00003S	122	-	3	3	RX-HS300A-QS1-12024S	392	12	24	36
RX-HS300A-QS1-03000S	122	3	-	3	RX-HS300A-QS1-36000S	392	36	-	36
RX-HS300A-QS1-00006S	146	-	6	6	RX-HS300A-QS1-00042S	440	-	42	42
RX-HS300A-QS1-02004S	146	2	4	6	RX-HS300A-QS1-06036S	440	6	36	42
RX-HS300A-QS1-04002S	146	4	2	6	RX-HS300A-QS1-12030S	440	12	30	42
RX-HS300A-QS1-06000S	146	6	-	6	RX-HS300A-QS1-00048S	488	-	48	48
RX-HS300A-QS1-00012S	194	-	12	12	RX-HS300A-QS1-06042S	488	6	42	48
RX-HS300A-QS1-02010S	194	2	10	12	RX-HS300A-QS1-09039S	488	9	39	48
RX-HS300A-QS1-03009S	194	3	9	12	RX-HS300A-QS1-12036S	488	12	36	48
RX-HS300A-QS1-06006S	194	6	6	12	RX-HS300A-QS1-18030S	488	18	30	48
RX-HS300A-QS1-08004S	194	8	4	12	RX-HS300A-QS1-24024S	488	24	24	48
RX-HS300A-QS1-10002S	194	10	2	12	RX-HS300A-QS1-00060S	584	-	60	60
RX-HS300A-QS1-12000S	194	12	-	12	RX-HS300A-QS1-06054S	584	6	54	60
RX-HS300A-QS1-00018S	242	-	18	18	RX-HS300A-QS1-09051S	584	9	51	60
RX-HS300A-QS1-02016S	242	2	16	18	RX-HS300A-QS1-12048S	584	12	48	60
RX-HS300A-QS1-04014S	242	4	14	18	RX-HS300A-QS1-00072S	686	-	72	72
RX-HS300A-QS1-06012S	242	6	12	18	RX-HS300A-QS1-06066S	686	6	66	72
RX-HS300A-QS1-08010S	242	8	10	18	RX-HS300A-QS1-12060S	686	12	60	72
RX-HS300A-QS1-10008S	242	10	8	18	RX-HS300A-QS1-24048S	686	24	48	72
RX-HS300A-QS1-12006S	242	12	6	18	RX-HS300A-QS1-36036S	686	36	36	72
RX-HS300A-QS1-14004S	242	14	4	18	RX-HS300A-QS1-00084S	782	-	84	84
RX-HS300A-QS1-16002S	242	16	2	18	RX-HS300A-QS1-12072S	782	12	72	84
RX-HS300A-QS1-00024S	290	-	24	24	RX-HS300A-QS1-24060S	782	24	60	84
RX-HS300A-QS1-04020S	290	4	20	24	RX-HS300A-QS1-36048S	782	36	48	84
RX-HS300A-QS1-06018S	290	6	18	24	RX-HS300A-QS1-00096S	878	-	96	96
RX-HS300A-QS1-12012S	290	12	12	24	RX-HS300A-QS1-12084S	878	12	84	96
RX-HS300A-QS1-18006S	290	18	6	24	RX-HS300A-QS1-24072S	878	24	72	96
RX-HS300A-QS1-24000S	290	24	-	24	RX-HS300A-QS1-36060S	878	36	60	96
RX-HS300A-QS1-00030S	338	-	30	30	RX-HS300A-QS1-42054S	878	42	54	96
RX-HS300A-QS1-06024S	338	6	24	30	RX-HS300A-QS1-00108S	980	-	108	108
RX-HS300A-QS1-12018S	338	12	18	30	RX-HS300A-QS1-12096S	980	12	96	108
RX-HS300A-QS1-18012S	338	18	12	30	RX-HS300A-QS1-24084S	980	24	84	108
RX-HS300A-QS1-24006S	338	24	6	30	RX-HS300A-QS1-36072S	980	36	72	108
RX-HS300A-QS1-30000S	338	30	-	30	RX-HS300A-QS1-48060S	980	48	60	108

Customized Slip Rings



HYBRID SLIP RING FOR WATER, POWER AND SIGNAL TRANSMISSION

- 12 x 10A power, 1 x gigabit Ethernet, 1 x water leadthrough
- Harting connector for power lines
- Housing material aluminium

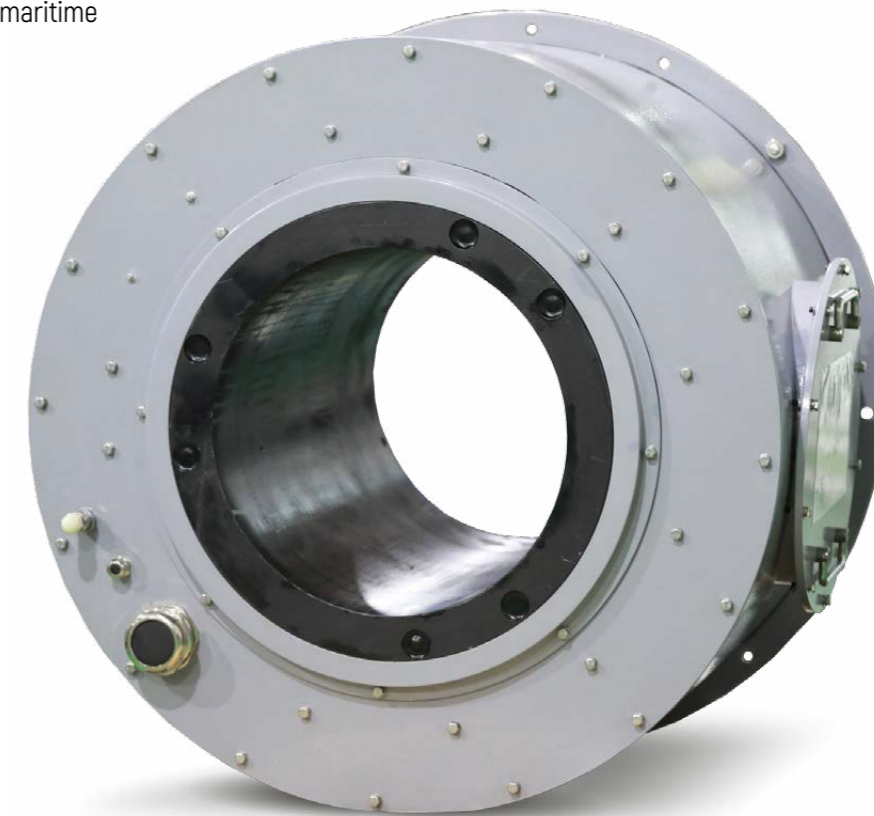


MEDIUM SIZE SLIP RING WITH MASSIVE FLANGE

- Axial cable outtake rotor, radial cable outtake stator
- Steel housing in customized color
- Special cable protection sleeve

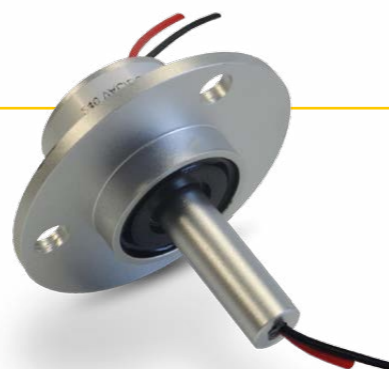
LARGE SLIP RING FOR MARITIME APPLICATIONS

- Outer diameter 14 meters, inner diameter 0.7 meters
- Housing material steel, color similar to maritime vessel
- Inspection porthole



MINIATURE METAL HOUSING WITH ELONGATED ROTOR SHAPE

- Special rotor design acc. to customer specification
- 4 x 2A signal rings
- Protection degree IP65



MEDIUM SIZE SLIP RING WITH MASSIVE FLANGE

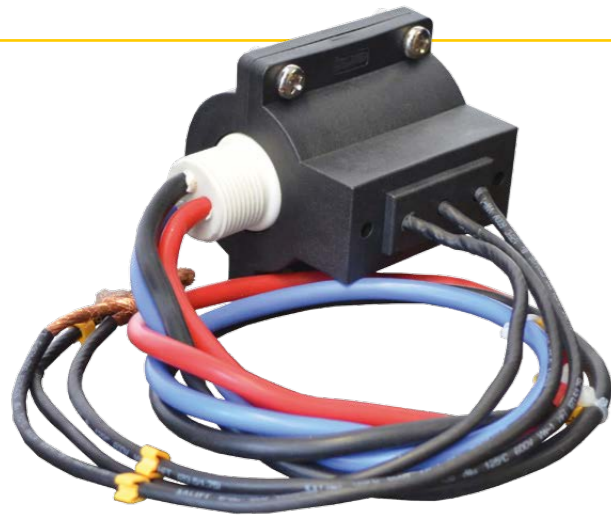
- Aluminium rotor flange with customized boreholes
- Flange thickness 13mm
- Protection degree IP65



HYBRID MEDIUM SIZE HOLLOW-SHAFT SLIP RING

- 10 x 10A signal transmission + EtherCat signals
- Massive housing for heavy-duty-applications
- Special flange and double-anti-rotation-tabs



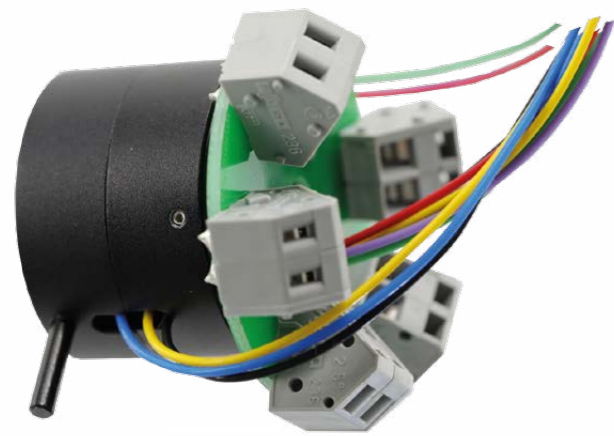
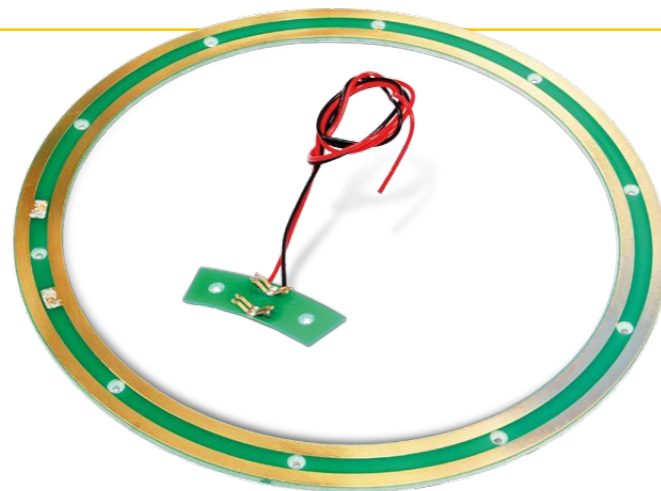


MINIATURE POWER SLIP RING WITH CUSTOMIZED HOUSING

- 3 x 63A power transmission on minimum space
- Special plastic housing
- Cable color code according to customer requirement

PANCAKE SLIP RING WITHOUT HOUSING

- Special diameter according to customer machine
- 2 rings for power transmission
- Brushholder with customized fixing holes and cable



MINIATURE SIZE SLIP RING WAGO CONNECTORS ON PCB

- 16 x 2A signal transmission
- Customized PCB with WAGO connectors for cable connection
- Special housing design with anti-rotation-bar

HYBRID MEDIUM SIZE SLIP RING WITH FIBER OPTIC AND COAX TRANSMISSION

- Customized housing shape with special rotor design
- Gearwheel teeth shape integrated in rotor design
- FORJ Fiber Optic + COAX transmission



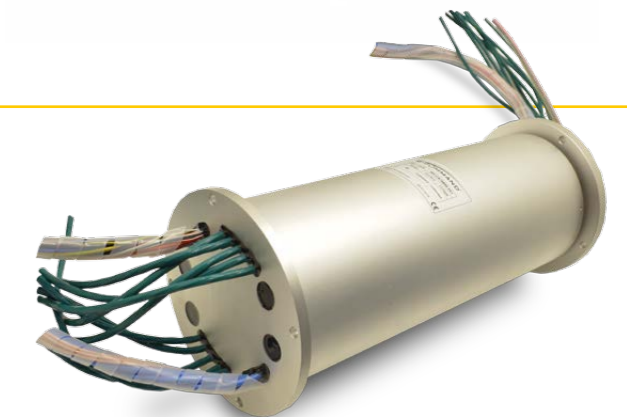
MINIATURE SLIP RING WITH CUSTOMIZED FLANGE

- 10 x 2A signal transmission
- Flange position and shape customized
- Cable color code according to customer requirement



LARGE METAL HOUSING WITH POWER / DATA TRANSMISSION

- Dimensions housing according to customer specification
- 86 Rings (63A, 32A, 16A, HD-SDI, EtherCat, Analogue)
- Special CAT7E data-cable with 10 meter length



MINIATURE SLIP RING WITH 128 RINGS

- Aluminium housing with rotor flange
- 128 signal rings for data transmission
- Protection degree IP65





SLIP RING WITH INTEGRATED CONNECTORS

- Customized fixation boreholes
- Customized connectors and cable with connectors
- Double anti-rotation-tab on stator side

MEDIUM SIZE HOLLOW-SHAFT SLIP RING WITH CONNECTORS

- 4 x customized connectors for signal transmission
- Aluminium housing with 150mm free inner diameter
- Housing without flange, axial cable outtakes



HYBRID MEDIUM SIZE SLIP RING WITH DOUBLE COAX LINE AND POWER TRANSMISSION

- Customized metal housing without flange
- 2 x COAX lines + several power rings
- Special cable protection sleeve and cable fixation

HYBRID MEDIUM SIZE SLIP RING WITH FIBER OPTIC AND POWER LINES

- Customized aluminium housing without flange
- FORJ Fiber Optic + power transmission
- Stainless steel rotor with cable protection sleeve



HYBRID MINIATURE SLIP RING FOR VIRTUAL REALITY APPLICATIONS

- Plastic housing with customized flange
- Power and data transmission by USB and HDMI
- Connectors on rotor and stator side for easy usage



Grid area for taking notes.

Request Form Slip Rings



Please fill in all fields below with as much information about your application as possible. Handing over maximum mechanical and electrical information available makes order creation easier for us. If available you can also provide circuit diagrams or 2D/3D files of the mounting position. If you have any questions about this form please contact us.

Company Name Contact
 Address Position
 Phone
 City Post Code Fax
 Country E-mail

Application area
 Project name Annual qty (PCS)
 New development Replacement existing solution Repair / maintenance

Application description (How does slip ring work):
.....
.....

USING ENVIRONMENT

Indoor High vibration Temperature range
 Outdoor High humidity IP degree (min.) Altitude
 Other requirements:

MECHANICAL PERFORMANCE

Working speed rpm Installation method Horizontal Vertical
 Max speed rpm Fixation Shaft Flange
 Operating frequency Through-bore Yes No
 Max. Outer Diameter mm Housing material
 Min. Inner Diameter mm Max. pressure (air, liquid) Bar
 Max. Length mm Wire length Rotor mm Wire length Stator mm

Other requirements:
(or drawings in attachment)

ELECTRICAL PERFORMANCE

No. of Rings	Current [amps]		Working Volts	Contact Material	Data Protocol (Fieldbus)	Gas / Fluidic Transmission	Others
	Normal	Max					

Signal requirements:



B-COMMAND GMBH

GRUETZMUEHLENWEG 46
22339 DE HAMBURG

PHONE +49 40-538092-50

FAX +49 40-538092-85

MAIL INFO@ROTARX.COM

WWW.B-COMMAND.COM

WWW.ROTARX.COM

